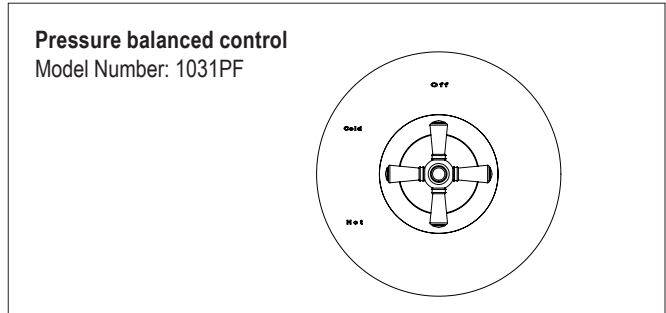
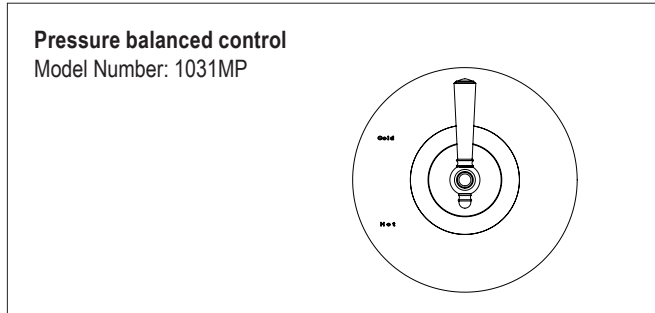


Please read the instructions completely before beginning the installation.



INSTALLATION INSTRUCTIONS

Rough Installation

NOTE: Do not remove the plastic cover template until mounting the trim.

- Determine where the finished wall will be. This measurement is necessary to accurately plumb in the valve.
- Install valve into the wall using min/max adjustment limits on the plastic cover template. The backset measurement from the center of the shower outlet to the outside of finished wall is 3".

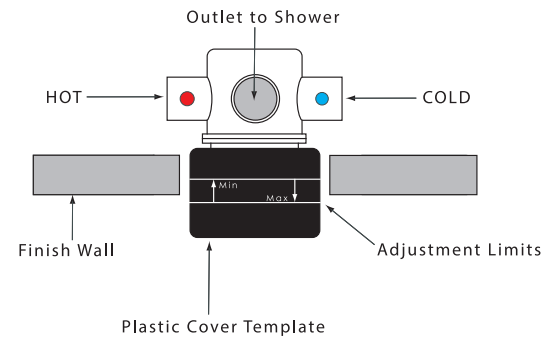
NOTE: It is critical to completely flush the lines of all dirt and debris (metallic shavings, flux, etc.) prior to installing the pressure balanced valve to the supply lines.

NOTE: When soldering connections do not use excessive heat as this may cause damage to the cartridge or filter screens.

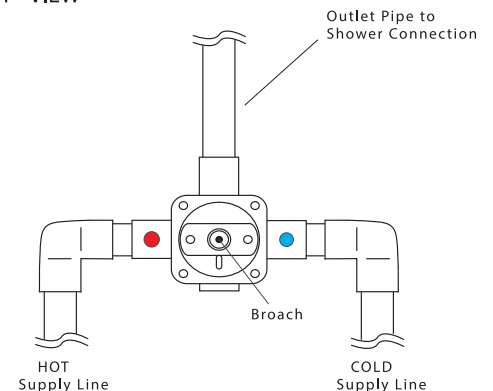
- Connect the HOT water supply to the left inlet of the valve (RED) and COLD supply to the right inlet of the valve (BLUE).
- Connect the outlet pipe to shower connections.
- Test for proper function before closing walls. Do this by pressurizing both HOT and COLD lines.

TOP - VIEW

*MAXIMUM HOLE CUT-OUT IN FINISH WALL: 3-1/2" x 3-1/2"



FRONT - VIEW



The measurements shown are for reference only. Products and specifications shown are subject to change without notice.

www.santecfaucet.com | P: 310.542.0063 F: 310.542.5681

Shower Trim Installation

IMPORTANT: Do not turn control spindle. Accidentally turning the control spindle will change the temperature setting, which is pre-calibrated from the factory.

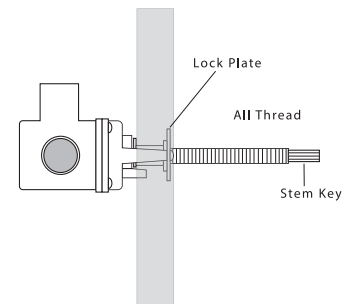
- 1 - Remove the plastic cover template.
- 2 - Loosen the two screws on the lock plate.
- 3 - Insert the stem key through the lock plate and onto the broach of the valve.
- 4 - Retighten the screws on the lock plate.
- 5 - Completely screw in the proper end of the all thread into the lock plate. The limited threaded end of the all thread is the proper end which will screw into the lock plate.
- 6 - From the finished wall, measure the distance of 1" and make a mark on the all thread.
- 7 - Remove the all thread from the lock plate and using a hacksaw cut off the excess at the mark. Re-assemble the all thread into the lock plate. Make a mark on the stem key 1/2" from the end of the all thread. Remove the all thread and stem key, cut the excess off the stem key, and then re-assemble to the valve.

- 1 - Apply a ring of silicone caulking around the back of the shower plate and slide plate over the all thread and stem key until snug against the finish wall.

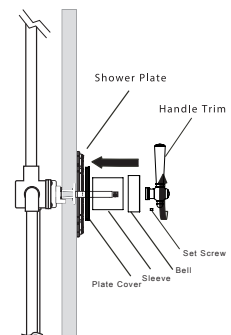
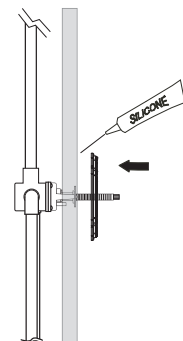
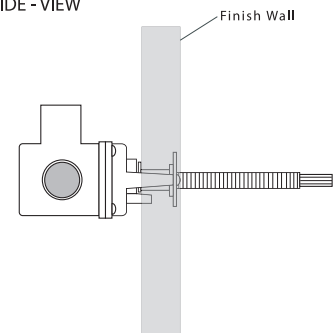
NOTE: Make sure that the horizontal axis of the shower plate is level.

- 2 - Make sure the valve is in the "off" position by fully rotating the stem key clockwise.
- 3 - To assemble the handle trim, place o-ring onto the all thread shank then, make it flush to the plate. Screw the base onto the all thread clockwise while keeping the lever in the 6 o'clock position (pointing straight down). Tighten to the shower plate firmly.

SIDE - VIEW



SIDE - VIEW



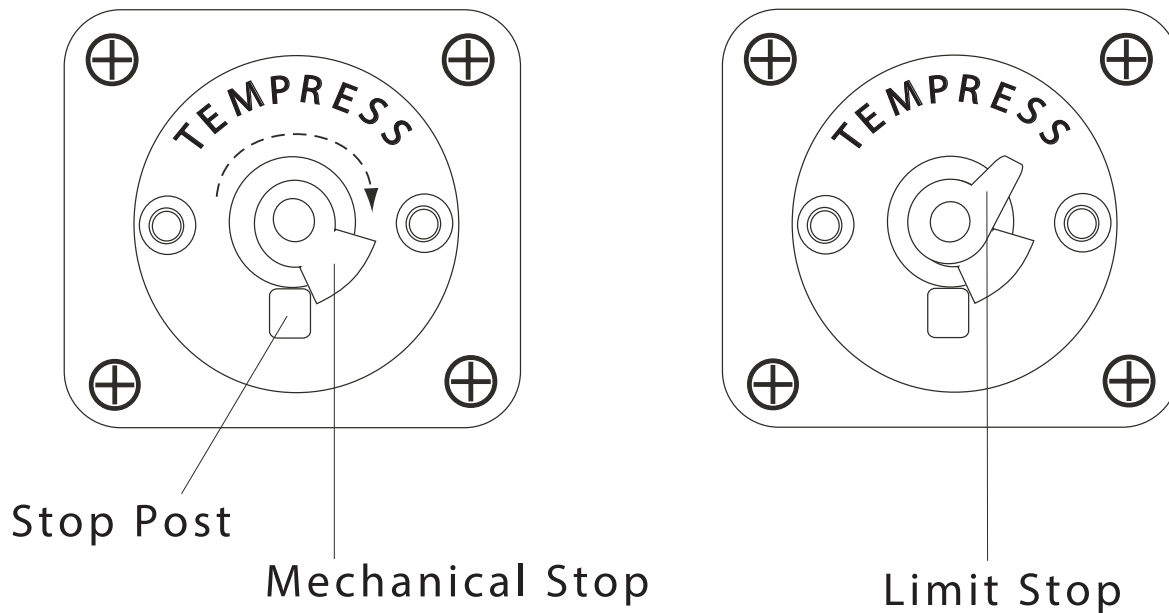
The measurements shown are for reference only. Products and specifications shown are subject to change without notice.

www.santecfaucet.com | P: 310.542.0063 F: 310.542.5681

Temperature Stop Set Up

Santec Pressure Balanced Valve has a temperature limit stop. Below is the temperature stop set up:

- 1 - Remove all handle trim parts, including the trimplate.
- 2 - Remove all rough parts including the all thread, stem key and lock plate.
- 3 - Make sure the valve is fully turned clockwise. Install the mechanical stop with its left side touching the stop.
- 4 - Install the limit stop over the mechanical stop as shown in. The limit stop should point between the two S's of the logo TEMPRESS. This is the manufacturers recommended temperature limit. If the user desires a higher temperature than assemble the limit stop counter-clockwise from the manufacturers recommended position.
- 5 - Reinstall the components of the valve and trim.



The measurements shown are for reference only. Products and specifications shown are subject to change without notice.

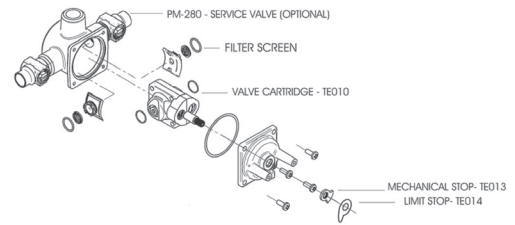
www.santecfaucet.com | P: 310.542.0063 F: 310.542.5681

Filter Screen Removal & Cleaning

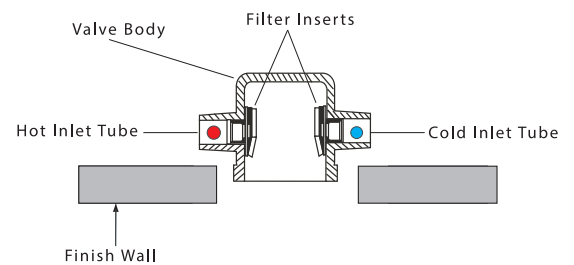
- 1 - Remove all handle trim parts, including the trimplate.
- 2 - Remove the all thread, stem key, lock plate, limit stop, and mechanical stop.
- 3 - Remove the 4 screws holding the front valve plate to the valve and remove the plate.
- 4 - Carefully pull out the valve cartridge from inside the valve.
- 5 - Use your fingernail to pry up the filter inserts on both sides of the valve.

WARNING: Using a screwdriver or metallic object to remove the filter inserts will scar the inside of the valve body which may lead to a water leakage.

- 6 - All debris can now be easily removed from the filter screen by running it under the water until clean.
- 7 - Replace the insert back into the valve body, making sure the angled edge of the insert faces outward.
- 8 - Replace the cartridge back into the valve body, making sure that the H is pointed toward the HOT inlet tube and C is facing toward the COLD inlet tube. The H and C letters are stamped on the side of the cartridge.
- 9 - Reverse the assembly steps 3, 2 and 1 above.



TOP - VIEW



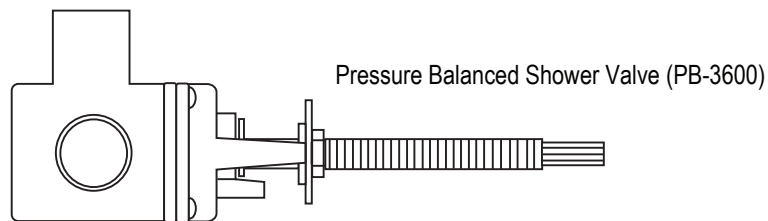
PARTS DRAWING

MODEL# 1031MP-TM **BILL OF MATERIAL / ASSEMBLY INSTRUCTION**
LYRA PRESSURE BALANCE

ITEM NO.	PART NUMBER	DESCRIPTION	QTY.
1	PH29920	ROUND PB PLATE FOR E-SERIES	1
2	P02104	Screw	2
3	P02101	Sleeve, Pressure Balanced Tub/Shower	1
4	PH29910-1	E-Series Pressure Balanced Plate Cover	1
5	PM-953	Monza/Novo Roman Tub Handle O-ring	1
6	PM-021	Set Screw	1
7	PM-031	Allen Key	1
8	PA-9600	Bell	1
9	PH0058	Allure Shower Trim Handle	1
10	PM-022	Foam	1
11	ph00831	LYRA THERMO LEVER HUB	1
12	PH0222-1	HANA LEVER KNOB	1
13	PH0223 RB	DIAMOND LEVER	1

MODEL# 1031PF-TM **BILL OF MATERIAL / ASSEMBLY INSTRUCTION**
LYRA CROSS PRESSURE BALANCE

ITEM NO.	PART NUMBER	DESCRIPTION	QTY.
1	PH29920	ROUND PB PLATE FOR E-SERIES	1
2	P02104	Screw	2
3	P02101	Sleeve, Pressure Balanced Tub/Shower	1
4	PH29910-1	E-Series Pressure Balanced Plate Cover	1
5	PM-953	Monza/Novo Roman Tub Handle O-ring	1
6	PM-021	Set Screw	1
7	PM-031	Allen Key	1
8	PA-9600	Bell	1
9	PH0058	Allure Shower Trim Handle	1
10	PM-022	Foam	1
11	PH00839	LYRA CROSS PB LEVER BROACH	1
12	PH00823	LYRA CROSS HANDLE SPOKE	4



The measurements shown are for reference only. Products and specifications shown are subject to change without notice.

www.santecfaucet.com | P: 310.542.0063 F: 310.542.5681