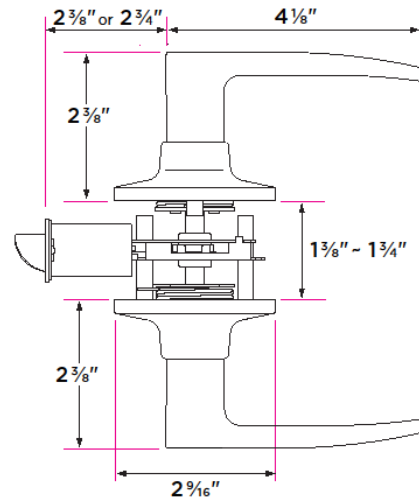
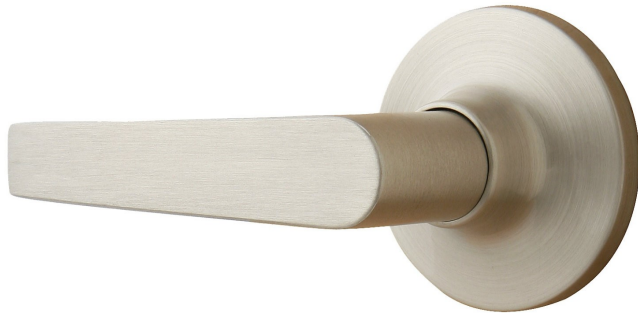


Cedar Lever



DESCRIPTION	PRODUCT CODE	CASE
Passage (hall/closet) Both sides always free	CD101	24
Privacy (bed/bath) Locked by finger turn. Unlocked by finger turn or coin slot from the outside	CD102	24
Entry- Locked/unlocked by inside finger turn or outside key	CD107	12
Entry and Deadbolt Combo	CD107/DB	12
Dummy (closet) Inactive, single-sided, flush mount with two wood screws	CD100	24
Handleset Interior Trim	CD100-H	24
Push Button Privacy (bed/bath) Locked by push button. Unlocked by inside lever or coin slot from the outside. Inside lever is always free. Meets ADA requirements.	CD102-SL <small>Only available in Satin Nickel</small>	12
Storeroom- Inside lever is always free. Outside lever is always locked and a key is required to open.	CD105-SL <small>Only available in Satin Nickel</small>	12
Push Button Entry- Outside lever locked by inside push button. Unlocked by key or inside lever. Inside lever is always free. Meets ADA requirements.	CD107-SL <small>Only available in Satin Nickel</small>	12

Finishes

- 3 Polished Brass
- 15 Satin Nickel
- 26 Polished Chrome
- 11P Vintage Bronze

Door Handing

Reversible Handing

Door Thickness

1 3/8" to 1 3/4"

Key Cylinder

- 5 Pin KW1
- 5 Pin SC1 option

Latch

- Adjustable 2 3/8" - 2 3/4" backset
- 1/2" throw bolt
- 2 1/4" x 1" radius corner faceplate or 4 way drive-in latch

Strike Plate

2 1/4" x 1 3/4" full lip radius corner standard

Door Prep

- Crossbore 2 1/8"
- Edgebore 1"

Materials

- Zinc
- All metal parts