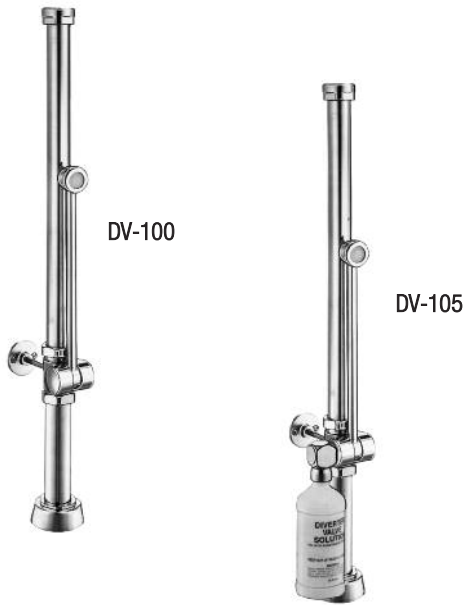


Slimline® Bedpan Washer Diverter Assemblies

DV-100
DV-105



► **Description**
Slimline® Bedpan Washer Diverter Assembly for use in retrofit installations where Flushometers currently are installed and for replacing older in-line type bedpan washers.

► **Models**
 DV-100 Standard
 DV-105 with Deoseptic Unit

► **Specifications**
 Bedpan Washer Diverter Assembly for use with Flushometer with the following features:

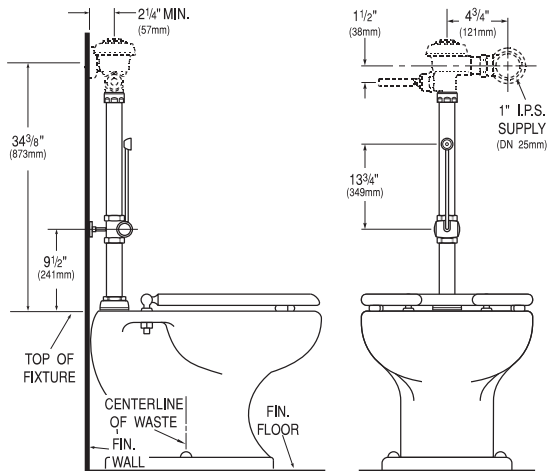
- Solid One-piece Body Construction
- Counter Balanced Pivot Assembly
- Solid Brass Spray Arm
- High Back Pressure Vacuum Breaker with One-piece Bottom Hex Coupling Nut
- Wall Support, Spud Coupling and Flange for 1½" Top Spud
- Vacuum Breaker to be molded from PERMEX™ rubber compound for Chloramine resistance

Diverter Assembly ONLY. Does NOT include Flushometer.

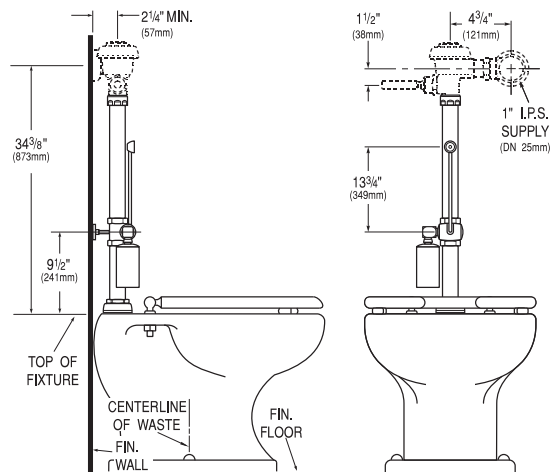
► **Variations**
 SG SaniGuard®
 R Includes 1" I.P.S. Elbow (to raise existing water supply rough-in) and Pipe Support

See Accessories Section of the Sloan catalog for details on these and other Flushometer variations.

DV-100



DV-105



This space for Architect/Engineer approval

The information contained in this document is subject to change without notice.

SLOAN®

Made in the U.S.A.
 SLOAN VALVE COMPANY • 10500 SEYMOUR AVE. • FRANKLIN PARK, IL. 60131 Phone: 1-800-9-VALVE-9 or 1-847-671-4300 • Fax: 1-800-447-8329 or 1-847-671-4380
<http://www.sloanvalve.com>