

CODE NUMBER

3912601

DESCRIPTION

1.0 gpf, Polished Chrome Finish, Single Flush, Solenoid-Operated, 120V, Royal® Exposed Solenoid (less sensor) Urinal Flushometer.

DETAILS

- Flush Volume: 1.0 gpf (3.8 Lpf)
- Finish: Polished Chrome (CP)
- Valve: Diaphragm
- Valve Body Material: Semi-red Brass
- Fixture Type: Urinal
- Fixture Connection: Top spud
- Rough-In Dimension: 11 ½" (292mm)
- Spud Coupling: ¾" (19mm)
- Supply Pipe: ¾" (19mm)
- Voltage: 120V (120V)

FEATURES

Flex tube dual filtered Bypass Diaphragm designed for improved life and reduced maintenance

- Non-Hold-Open Integral Solenoid Operator
- High Back Pressure Vacuum Breaker
- PERMEX® Synthetic Rubber Diaphragm with Dual Filtered Fixed Bypass
- Diaphragm, handle packing, stop seat and vacuum breaker molded from PERMEX rubber compound for chloramine resistance
- 3/4" I.P.S. Screwdriver Bak-chek® angle Stop
- Sweat Solder Adapter w/Cover Tube and Cast Wall Flange with Set Screw

Non-Hold-Open Integral Solenoid Operator, Fixed Metering Bypass and No External Volume Adjustment to Ensure Water Conservation

- Model ES flushometers are activated remotely by an electric push button (not included). "ES" flushometers offer solutions for installations that require automatic, remote or other control requirements



COMPLIANCES & CERTIFICATIONS



(ADA Compliant, cUPC Certified, BAA Compliant, UL Certified)

RECOMMENDED SPECIFICATION

Valve Body, Cover, Tailpiece and Control Stop shall be in conformance with ASTM Alloy Classification for Semi- Red Brass. Valve shall be in compliance with the applicable sections of ASSE 1037 and ANSI/ASME 112.19.2.

VALVE OPERATING PRESSURE (FLOWING)

15–80 PSI (103–552 kPa). Specific fixtures may require greater minimum flowing pressure - consult manufacturer requirements.

DOWNLOADS

- [Royal Exposed Installation Instructions](#)
- [Control Stop Repair and Maintenance Guide](#)
- [Flush Connections Flanges Repair and Maintenance Guide](#)
- [Tail Piece Repair and Maintenance Guide](#)
- [Royal Flushometers Repair and Maintenance Guide](#)
- [Additional Downloads](#)

NOTES

All information contained within this document subject to change without notice.

Looking for other variations of the ROYAL 186 ES product?
[View the general spec sheet with all options.](#)

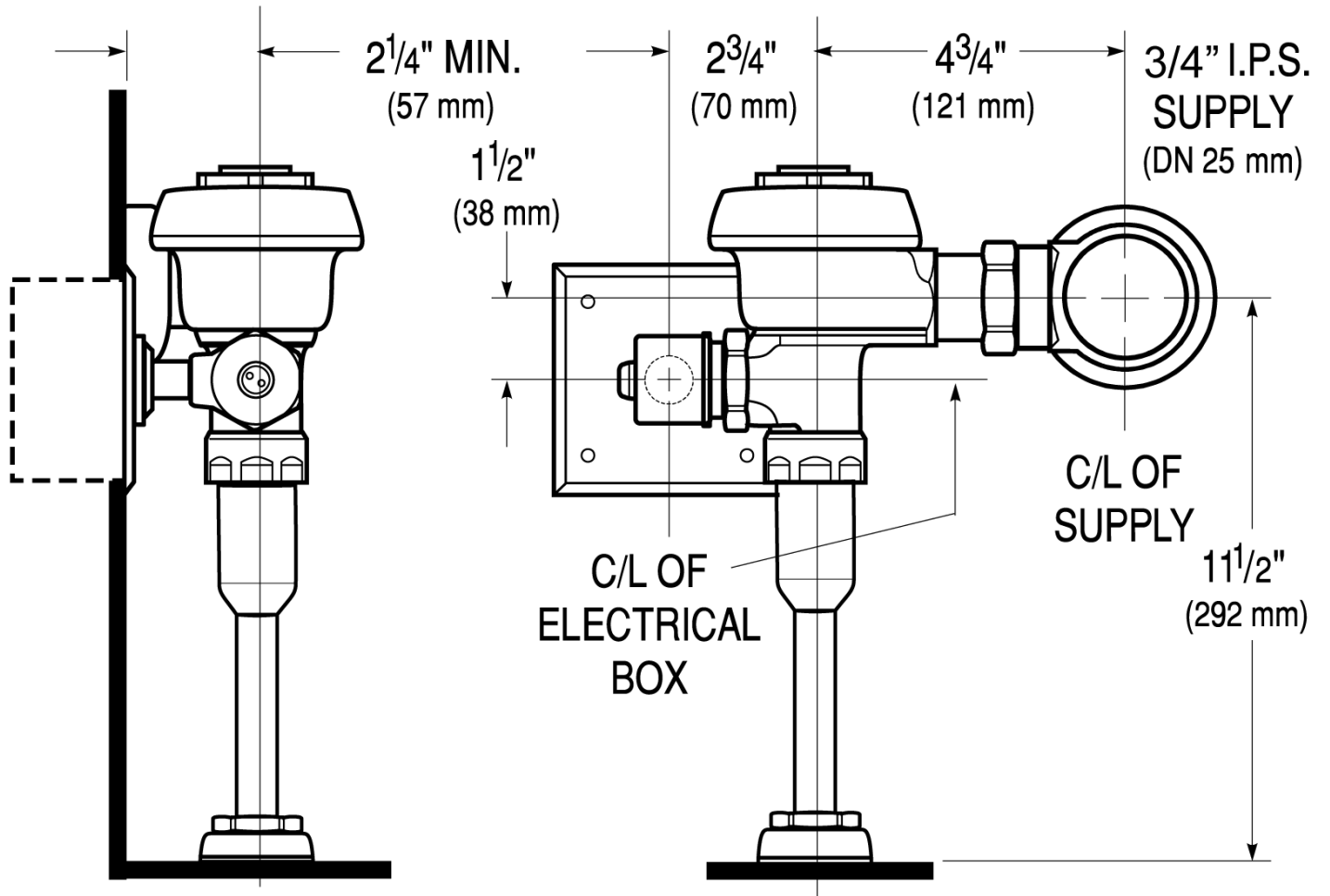
[Find a compatible urinal](#) for this flushometer.

[Find a compatible water closet](#) for this flushometer.

Sloan 10500 Seymour Ave, Franklin Park, IL 60131

Phone: 800.982.5839 • Fax: 800.447.8329 • sloan.com

ROUGH-IN



Sloan 10500 Seymour Ave, Franklin Park, IL 60131
 Phone: 800.982.5839 • Fax: 800.447.8329 • sloan.com