

**CODE NUMBER**

3788125

**DESCRIPTION**

3.5 gpf, Rough Brass Finish, Polished Chrome Wall Plate Finish, Single Flush, Hardwired, Solenoid-Operated with Modular Plug, Sloan® Concealed Manual Flushometer.

**DETAILS**

- Flush Volume: 3.5 gpf (13.2 Lpf)
- Finish: Rough Brass (RB)
- Wall Plate Finish: Polished Chrome (CP)
- Power Type: Hardwired (HW)
- Valve: Diaphragm
- Valve Body Material: Semi-red Brass
- Fixture Type: Water Closet
- Fixture Connection: Rear
- Rough-In Dimension: 16" (406mm)
- Spud Coupling: 1 ½" (38mm)
- Supply Pipe: 1" (25mm)

**FEATURES**

- 1" I.P.S. Wheel Handle Bak-Chek® Angle Stop
- Vacuum Breaker
- Sweat Solder Adapter
- Stop Seat and Vacuum Breaker molded from PERMEX Rubber Compound for Chloramine Resistance
- Adjustable Tailpiece
- 15' Cord w/6 Position, 4 Pin RJ-11 Modular Plug
- 24 VAC 50/60 Hz non-hold-open integral solenoid operator
- Elbow flush connection and coupling for 1 ½" NPT back inlet (for connection in pipe chase-flush tube through wall not provided by Programmed Water Technologies)



**COMPLIANCES & CERTIFICATIONS**



(ADA Compliant, UPC Certified, BAA Compliant, UL Certified)

**RECOMMENDED SPECIFICATION**

Valve Body, Cover, Tailpiece and Control Stop shall be in conformance with ASTM Alloy Classification for Semi- Red Brass. Valve shall be in compliance with the applicable sections of ASSE 1037 and ANSI/ASME 112.19.2.

**ELECTRICAL SPECIFICATIONS**

- Solenoid Operator: 24 VAC

**VALVE OPERATING PRESSURE (FLOWING)**

15-80 PSI (103-552 kPa). Specific fixtures may require greater minimum flowing pressure - consult manufacturer requirements.

**DOWNLOADS**

- [Sloan Concealed Installation Instructions](#)
- [Sloan/Regal ESS Repair and Maintenance Guide](#)
- [Control Stop Repair and Maintenance Guide](#)
- [Flush Connections Flanges Repair and Maintenance Guide](#)
- [Tail Piece Repair and Maintenance Guide](#)
- [Additional Downloads](#)

**NOTES**

All information contained within this document subject to change without notice.

Looking for other variations of the SLOAN 603 ES Hardwired product? [View the general spec sheet with all options.](#)

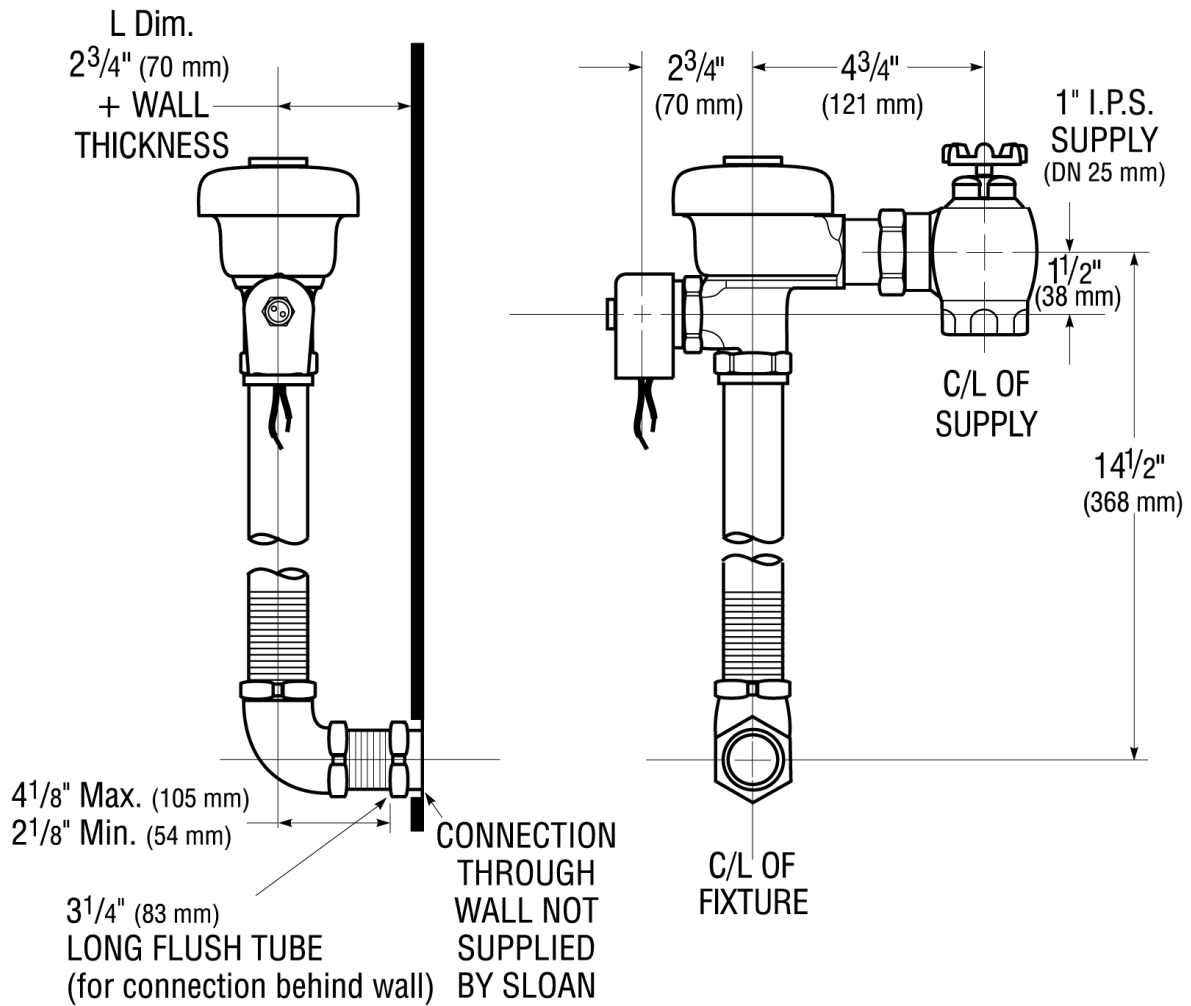
[Find a compatible urinal](#) for this flushometer.

[Find a compatible water closet](#) for this flushometer.

**Sloan 10500 Seymour Ave, Franklin Park, IL 60131**

Phone: 800.982.5839 • Fax: 800.447.8329 • [sloan.com](http://sloan.com)

**ROUGH-IN**



Sloan 10500 Seymour Ave, Franklin Park, IL 60131  
Phone: 800.982.5839 • Fax: 800.447.8329 • [sloan.com](http://sloan.com)