

**CODE NUMBER**

34516001

**DESCRIPTION**

1.28 gpf, Dual-Filtered Bypass, Rough Brass Finish, 1.5" Flush Connection, Fixture Connection, Single Flush, 1" Inlet, 1" Control Stop, 2-10.75 L Dimension, True Mechanical Override, Hardwired, Infrared, 11.5" Vacuum Breaker, 24V, Royal® Concealed Sensor Water Closet Hydraulic Flushometer.

**DETAILS**

- Flush Volume: 1.28 gpf (4.8 Lpf)
- Finish: Rough Brass (RB)
- Power Type: Hardwired (HW)
- Valve: Diaphragm
- Bypass: Dual-Filtered Bypass (DBP)
- Valve Body Material: Semi-red Brass
- Fixture Type: Water Closet
- L Dimension: 2" – 10 ¾" (51–273mm) (2-10-3/4-LDIM)
- Override: True Mechanical (TMO)
- Control Stop: 1" (1-IN-STOP)
- Inlet: 1" ( )
- Vacuum Breaker: 11.5" (11-1/2-VB)
- Flush Connection: 1.5" (T)
- Voltage: 24V (24V)

**FEATURES**

- PERMEX® Synthetic Rubber Diaphragm with Dual Filtered Fixed Bypass
- User friendly three (3) second Flush Delay
- OPTIMA® EL-1500 Self-Adaptive Infrared Sensor with Indicator Light
- "Walk By" Delay of Eight (8) Seconds Prevents Unintentional Flushes
- Die Cast Sensor Plate with no visible Fasteners (for 4" Square Extension Electrical Box)
- Non-Hold-Open Integral Solenoid Operator, Fixed Metering Bypass and No External Volume Adjustment to Ensure Water Conservation
- Hydraulic Metal Push Button Assembly for True Mechanical Override
- High Back Pressure Vacuum Breaker Flush Connection with Hex Coupling Nut and Spud Coupling for 1-1/2" Rear Spud
- IAPMO certified to meet or exceed ASME A112.19.2 standards
- Meets ADA guidelines and ANSI A117.1 requirements when installed accordingly
- WaterSense compliant when used with a 1.28 gpf WaterSense compliant fixture



**COMPLIANCES & CERTIFICATIONS**



(ADA Compliant, BAA Compliant, BREEAM Water Credit, cUPC Certified, cUPC Certified (Requires use of listed vacuum breaker that complies with ASSE 1001), cUPC Green Certified, cUPC Green Certified (Requires use of listed vacuum breaker that complies with ASSE 1001), Green Globes Water Credit, LEED V4 Water Efficiency Credit, Satisfies LEED Credits, UL Certified, WaterSense Listed)

**RECOMMENDED SPECIFICATION**

Valve Body, Cover, Tailpiece and Control Stop shall be in conformance with ASTM Alloy Classification for Semi- Red Brass. Valve shall be in compliance with the applicable sections of ASSE 1037 and ANSI/ASME 112.19.2.

**ELECTRICAL SPECIFICATIONS**

- Arming Delay: 16 seconds
- Control Circuit: 24 VAC Input/24 VAC Output
- Flush Delay: 3s
- Self-Adaptive Window: ±10
- Sensor Range: 22" – 42" (559–1,067mm)
- Solenoid Operator: 24 VAC
- Transformers:
  - 0345154
  - 0345999

**VALVE OPERATING PRESSURE (FLOWING)**

15–80 PSI (103–552 kPa). Specific fixtures may require greater minimum flowing pressure - consult manufacturer requirements.

**DOWNLOADS**

- [Royal 152/195 ESS TMO SBX Installation Instructions](#)
- [Additional Downloads](#)

**NOTES**

All information contained within this document subject to change without notice.

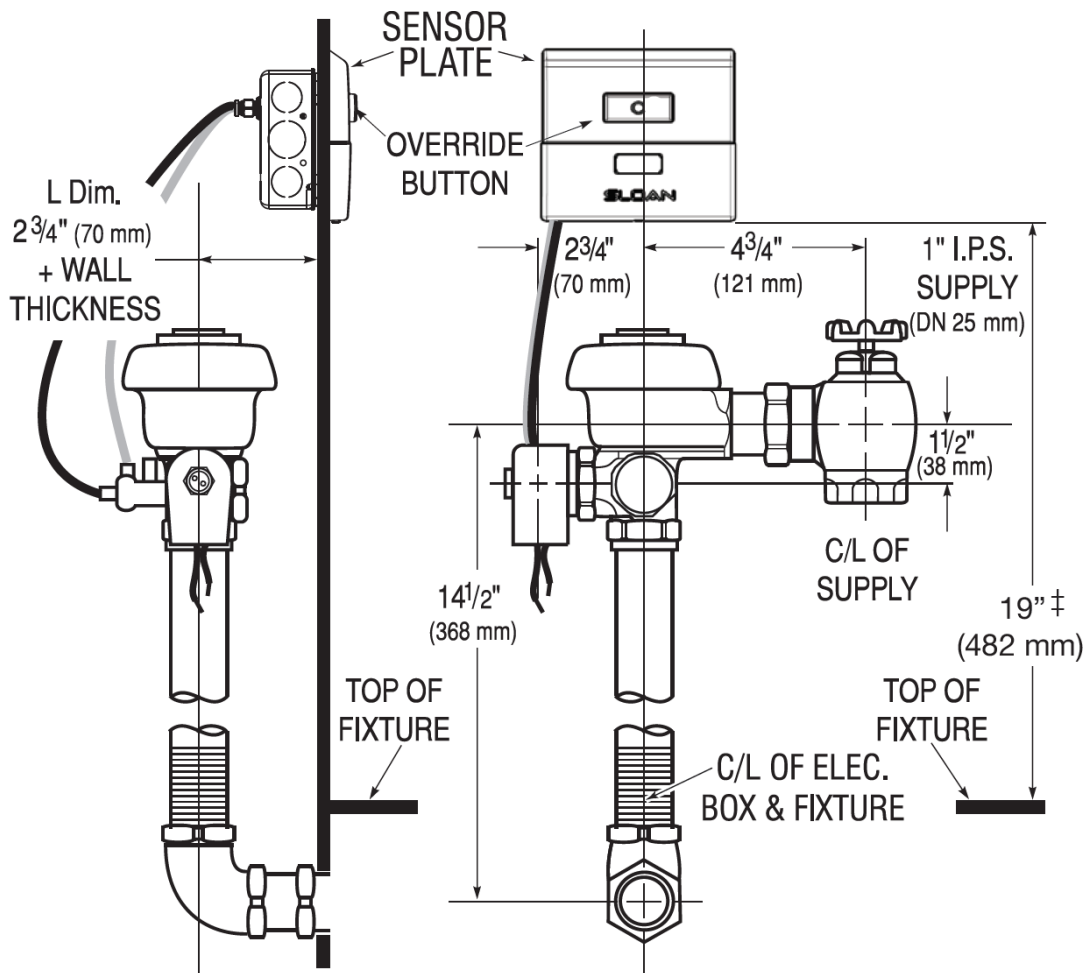
Looking for other variations of the ROYAL 152 ESS TMO SBX product? [View the general spec sheet with all options.](#)

[Find a compatible urinal](#) for this flushometer.

[Find a compatible water closet](#) for this flushometer.

WaterSense compliant when used with a WaterSense compliant fixture

**ROUGH-IN**



Sloan 10500 Seymour Ave, Franklin Park, IL 60131

Phone: 800.982.5839 • Fax: 800.447.8329 • [sloan.com](http://sloan.com)