

**CODE NUMBER**

3346081

**DESCRIPTION**

Brushed Nickel Finish, Optima® Deck-Mounted Foam Soap Dispenser.

**DETAILS**

- Finish: Brushed Nickel (BN)
- Power Type: Hardwired
- Height: 4" (102mm)
- Width: 1 7/16" (44mm)
- Depth: 4 1/2" (114mm)
- Sensor Type: IR

**FEATURES**

Sensor Activated, Electronic, Brushed Nickel PVD Plated Die Cast Body, Hand Washing Foam Soap Dispenser with the following features:

- Modular One-piece Construction and easily attaches to deck surface
- Low Soap Level Indicator
- One tool service
- All electronics sealed
- Double infrared sensors with automatic setting feature
- Soap sold separately

**ELECTRICAL SPECIFICATIONS**

- AC Power Plug-In Only: Yes
- Sensor Range: 4" - 5" (102 - 127mm)
- Self-Adjustment Range: 1" - 6" (25 - 152mm)

**SOAP REFILLS**

- SJS-1751 (1000mL)
- SJS-1751-3 (1000mL)
- SJS-1751-4 (1000mL)



**RECOMMENDED SPECIFICATION**

Sloan Optima Foam Soap Dispenser model number ESD-400. Brushed Nickel PVD plated finish.

**DOWNLOADS**

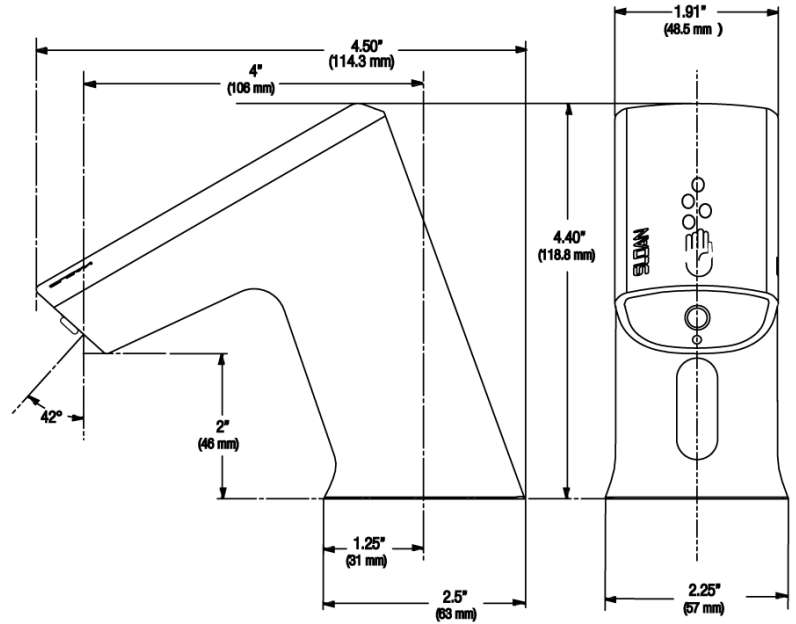
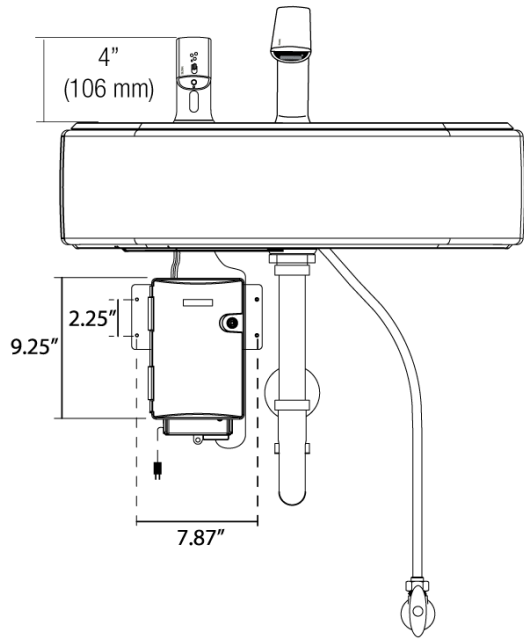
- [ESD-400 Installation Instructions](#)
- [Additional Downloads](#)

**NOTES**

All information contained within this document subject to change without notice.

**ROUGH-IN**

NOTE: Faucet shown  
as reference



**MATCHING FAUCETS**

This soap dispenser is compatible with [BASYS® faucets](#).