

CODE NUMBER

3346056

DESCRIPTION

Polished Brass Finish, Optima® Deck-Mounted Liquid Soap Dispenser.

DETAILS

- Finish: Polished Brass (PB)
- Power Type: Battery
- Height: 4 ¼" (108mm)
- Width: 1 813/1000" (46mm)
- Depth: 5 ⅜" (137mm)
- Sensor Type: IR

FEATURES

Sensor Activated, Electronic, Polishd Brass PVD Plated Die Cast Body, Hand Washing Liquid Soap Dispenser with the following features:

- Modular One-piece Construction and easily attaches to deck surface
- Four (4) D-size Alkaline Batteries included
- Low Battery Indicator
- Low Soap Level Indicator
- Black Plastic Throat Plate
- All mounting hardware included
- Easy Loading Disposable Soap Refills
- New Pump and Delivery Tube with each Refill
- Unit supplied with one 800 ml. Container of Lotion Soap

SOAP REFILLS

- ESD-217 (800mL)
- ESD-232 (1600mL)
- ESD-231 (800mL)
- ESD-233 (1600mL)

ROUGH-IN**COMPLIANCES & CERTIFICATIONS**

(ADA Compliant)

RECOMMENDED SPECIFICATION

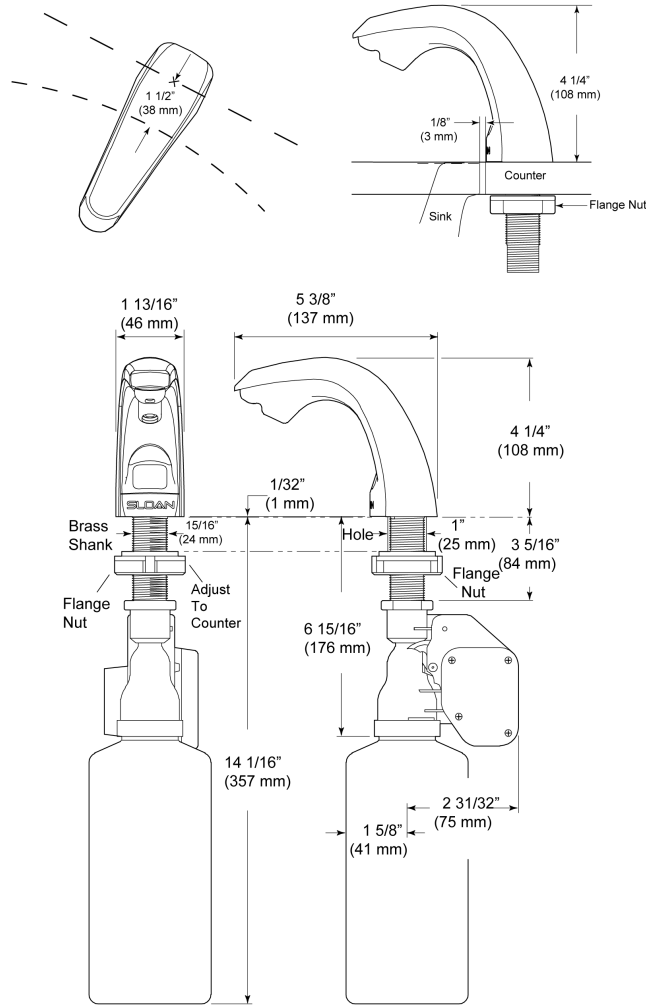
Sloan Optima Liquid Soap Dispenser model number ESD-250. Polished Brass PVD plated finish with black plastic throat plate.

DOWNLOADS

- [ESD 200/250/300/350 Installation Instructions](#)
- [ESD-200/250/300/350 Repair and Maintenance Guide](#)
- [Additional Downloads](#)

NOTES

All information contained within this document subject to change without notice.



Sloan 10500 Seymour Ave, Franklin Park, IL 60131
Phone: 800.982.5839 • Fax: 800.447.8329 • sloan.com