

CODE NUMBER

24511101

DESCRIPTION

ST-2459 Water Closet and ECOS 8111 Flushometer.

COMPONENTS

- Flushometer: Code 3370460
- Water Closet: Code 2102459

DETAILS

- Flush Volume: 1.1 gpf (4.2 Lpf)
- Nominal Dimensions: 26 ¾" x 15 63/500" x 13 ¼" (679 x 384 x 337mm)

FLUSHOMETER FEATURES

- Sweat Solder Adapter with Cover Tube and Cast Set Screw Wall Flange
- Handle Packing, Main Seat, Stop Seat and Vacuum Breaker Molded from PERMEX® Rubber Compound for Chloramine resistance
- User friendly three (3) second Flush Delay
- "Low Battery" Flashing LED
- Infrared Sensor with Multiple-focused, Lobular Sensing Fields for high and low target detection
- Fixed Metering Bypass and No External Volume Adjustment to Ensure Water Conservation
- Flex Tube Diaphragm designed for improved life and reduced maintenance
- Engineered Metal Cover with replaceable Lens Window
- Courtesy Flush® Override Button
- Four (4) Size AA Batteries included
- 1" I.P.S. Screwdriver Bak-Chek® Angle Stop with Free Spinning Vandal Resistant Stop Cap

PERMEX® Synthetic Rubber Diaphragm with Dual Filtered Fixed Bypass

FIXTURE FEATURES

- White Vitreous China
- Elongated bowl
- Wall mounted, wall outlet
- Siphon jet flushing action achieves 1000g Map score when used with any Sloan flushometer
- Static load rating of 750 lbs (see Notes)
- Water spot area: 10⅞" x 9⅜" (26 cm x 24 cm)
- 1½" I.P.S. top spud inlet
- 2⅜" fully glazed trapway
- Closet bolts and caps included
- Toilet seat not included



COMPLIANCES & CERTIFICATIONS



(ADA Compliant, cUPC Green Certified, BAA Compliant, CEC Compliant, CalGreen Compliant, Satisfies LEED Credits, WaterSense Listed, EPD, HPD)

DOWNLOADS

- [SS/ST/SU/WETS/WEUS Fixtures Repair and Maintenance Guide](#)
- [Additional Downloads](#)

NOTES

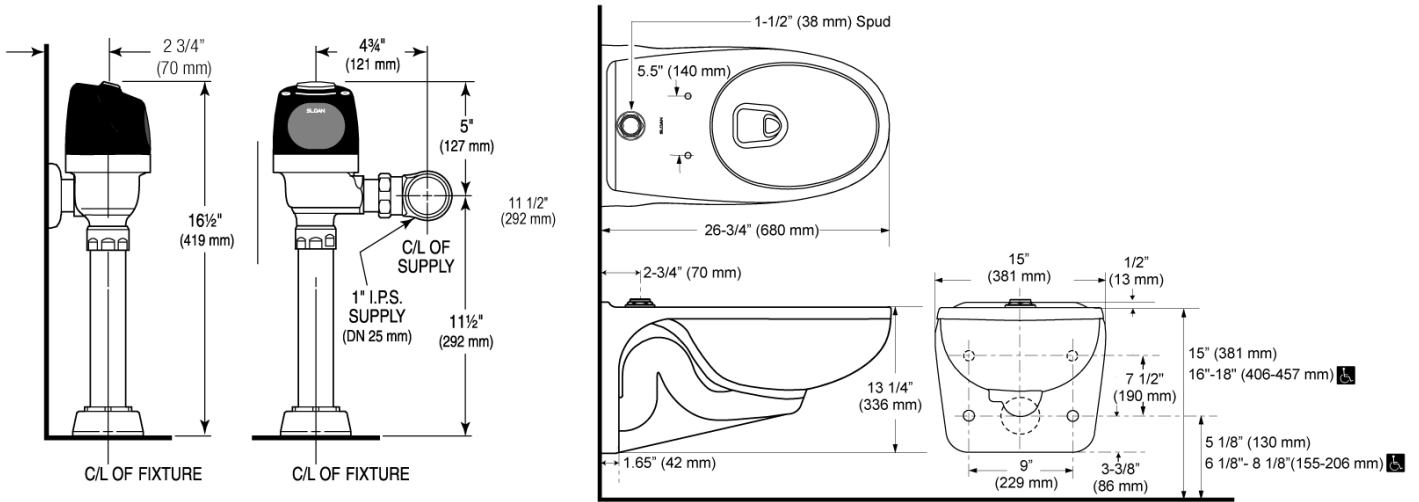
All information contained within this document subject to change without notice.

Static load tested according to the procedure in Section 6.7 of ASME A112.19.2. Not recommended for bariatric use.

Sloan 10500 Seymour Ave, Franklin Park, IL 60131

Phone: 800.982.5839 • Fax: 800.447.8329 • sloan.com

ROUGH-IN



Sloan 10500 Seymour Ave, Franklin Park, IL 60131
Phone: 800.982.5839 • Fax: 800.447.8329 • sloan.com