

**CODE NUMBER**

20001010

**DESCRIPTION**

ST-2009 Water Closet and SLOAN 111 Flushometer.

**COMPONENTS**

- Flushometer: Code 3780018
- Water Closet: Code 2102009

**DETAILS**

- Flush Volume: 1.28 gpf (4.8 Lpf)
- Nominal Dimensions: 25 ¼" x 16 1/125" x 15" (641 x 407 x 381mm)

**FLUSHOMETER FEATURES**

- High Chloramine Resistant PERMEX® Synthetic Rubber Diaphragm with Linear Filtered Bypass and Vortex Cleansing Action™
- 1" I.P.S. Screwdriver Bak-Chek® Angle Stop with Vandal Resistant Stop Cap
- Vacuum Breaker with Flush Connection
- Spud Coupling and Spud Flange for 1 1/2" Top Spud
- Sweat Solder Adapter with Cover Tube and Cast Wall Flange
- Non-Hold-Open Handle and No External Volume Adjustment to Ensure Water Conservation
- Diaphragm, Handle Packing and Vacuum Breaker Molded from PERMEX® Rubber Compound for Chloramine Resistance
- ADA Compliant Metal Oscillating Non-Hold-Open Handle

**FIXTURE FEATURES**

- White Vitreous China
- Elongated bowl
- Floor mounted, floor outlet
- Siphon jet flushing action achieves 1000g Map score when used with any Sloan flushometer
- Water spot area: 10 1/8" x 9 3/8" (26 cm x 24 cm)
- 1 1/2" I.P.S. top spud inlet
- 2 1/8" fully glazed trapway
- Closet bolts and caps included
- Toilet seat not included



**COMPLIANCES & CERTIFICATIONS**



(cUPC Green Certified, BAA Compliant, CEC Compliant, CalGreen Compliant, Satisfies LEED Credits, WaterSense Listed, EPD, HPD)

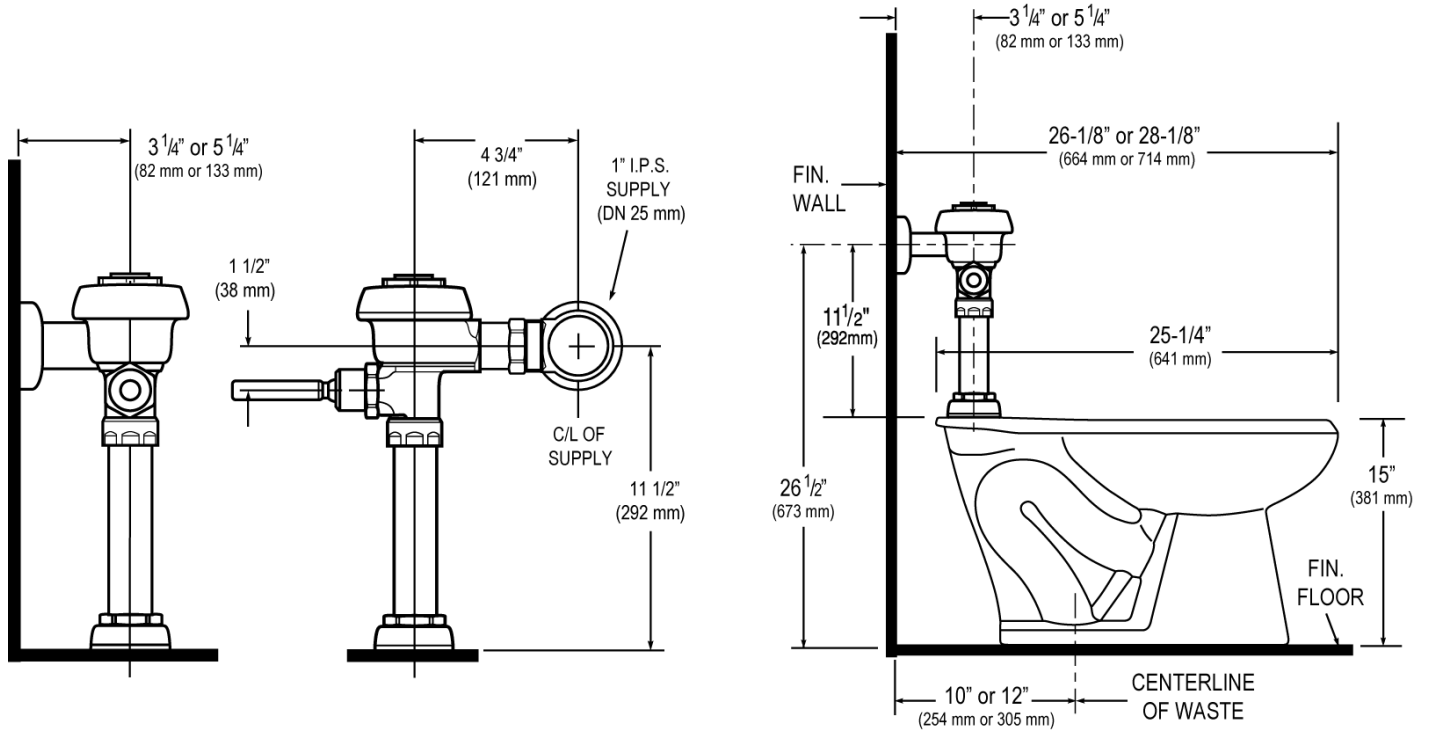
**DOWNLOADS**

- [Optima SMO Installation Instructions](#)
- [SS/ST/SU/WETS/WEUS Fixtures Repair and Maintenance Guide](#)
- [Additional Downloads](#)

**NOTES**

All information contained within this document subject to change without notice.

**ROUGH-IN**



Sloan 10500 Seymour Ave, Franklin Park, IL 60131

Phone: 800.982.5839 • Fax: 800.447.8329 • [sloan.com](http://sloan.com)