

CODE NUMBER

12001006

DESCRIPTION

SU-1200 Urinal and CROWN 186 Flushometer.

COMPONENTS

- Flushometer: Code 3122665
- Urinal: Code 1101200

DETAILS

- Flush Volume: 0.125 gpf (0.5 Lpf)
- Nominal Dimensions: 14 ½" x 20 ¾" x 25 ¼" (368 x 527 x 641mm)

FLUSHOMETER FEATURES

- Non-Hold-Open Handle, Fixed Metering Bypass and No External Volume Adjustment to Ensure Water Conservation
- Fixed Volume Piston with Filtered O-ring Bypass
- Sweat Solder Adapter with Cover Tube and Cast Set Screw Wall Flange
- Handle Packing, Main Seat, Stop Seat and Vacuum Breaker molded from PERMEX® Rubber Compound for Chloramine Resistance
- Valve designed to accept Low and Ultra-Low Consumption Pistons only to ensure Water Conservation
- ADA Compliant Metal Oscillating Non-Hold-Open Handle
- ¾" I.P.S. Screwdriver Bak-Chek® Angle Stop with Vandal Resistant Stop Cap

FIXTURE FEATURES

- Wall hung vitreous top spud china
- Large footprint to cover old caulk lines
- Washdown flushing action
- ¾" I.P.S. top spud inlet
- 2" NPT outlet flange
- All mounting hardware included
- Integral flushing rim
- 100% factory flush tested
- Carrier not included



COMPLIANCES & CERTIFICATIONS



(ADA Compliant, cUPC Green Certified, WaterSense Listed, BAA Compliant, CEC Compliant, CalGreen Compliant, Satisfies LEED Credits)

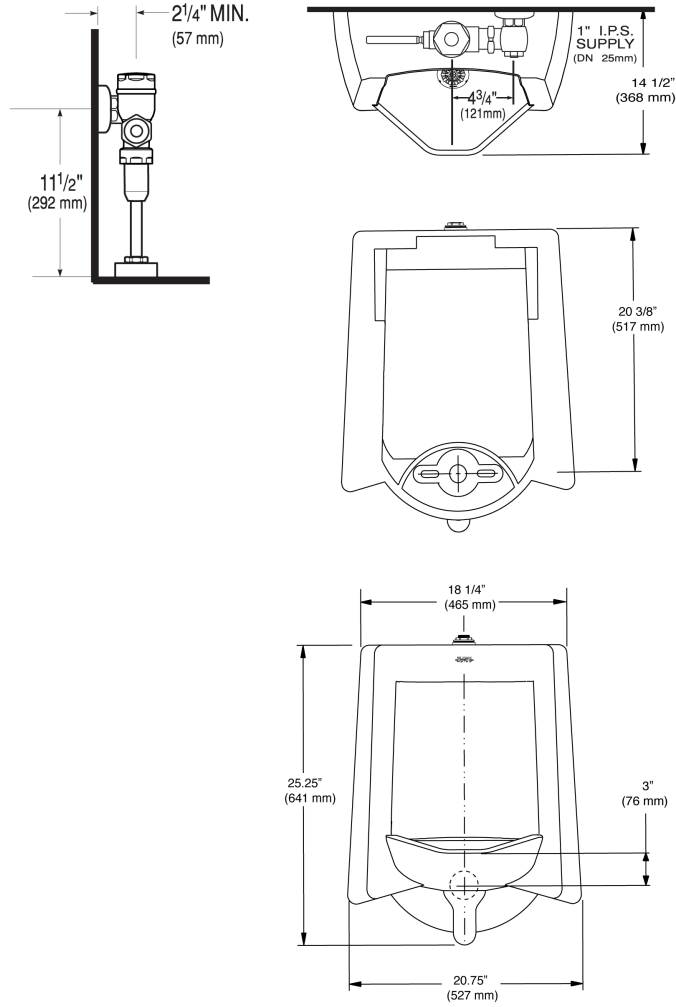
DOWNLOADS

- [Retrofit Urinal Installation Instructions](#)
- [SS/ST/SU/WETS/WEUS Fixtures Repair and Maintenance Guide](#)
- [Additional Downloads](#)

NOTES

All information contained within this document subject to change without notice.

ROUGH-IN



Sloan 10500 Seymour Ave, Franklin Park, IL 60131
Phone: 800.982.5839 • Fax: 800.447.8329 • sloan.com