

CODE NUMBER

1007020

DESCRIPTION

Vitreous China Hybrid Urinal.

DETAILS

- Nominal Dimensions: 14 5/8" x 12 3/4" x 21 7/8" (371 x 324 x 556mm)

FEATURES

- White Vitreous China
- Cartridge housing assembly
- 2" NPT outlet flange & Uni-coupler kit
- All mounting hardware included
- One (1) replaceable cartridge included†
- Touch-free, hygienic operation
- Up to 5x cleaner than flushing urinals

CARTRIDGE SPECIFICATIONS

- Enhanced patented design maximizes life, prevents sealant loss and virtually eliminates odor
- Biodegradable sealant liquid
- Vandal resistant locking design
- 20% less plastic than previous designs
- Average of 7,000 uses can save up to 40,000 gallons of water annually
- Replacement cartridges sold separately

JETRINSE SOLUTION SPECIFICATIONS

- Patented housing and drain line rinsing
- Automatic activation injects 1 gallon of water through housing and drain line every 72 hours to prevent struvite build-up and clogs
- IR switch for manual rinse activation
- 8-year, 6V lithium battery included
- Compliant to ASME A112.1.3 backflow requirements

PLUMBING SYSTEM REQUIREMENTS

- Maximum Static Pressure: 80 PSI (552 kPa)
- 3/8" compression water supply required

DOWNLOADS

- [HYB 7000 Installation Instructions](#)
- [Hybrid Urinal Series Repair and Maintenance Guide](#)
- [Cleaning and Cartridge Replacement Repair and Maintenance Guide](#)
- [Additional Downloads](#)

VIDEOS

- ▶ [Hybrid Urinal](#)



COMPLIANCES & CERTIFICATIONS



(ADA Compliant, UPC Certified, CEC Compliant, CalGreen Compliant, Satisfies LEED Credits, cUPC Certified, Red List Free)

NOTES

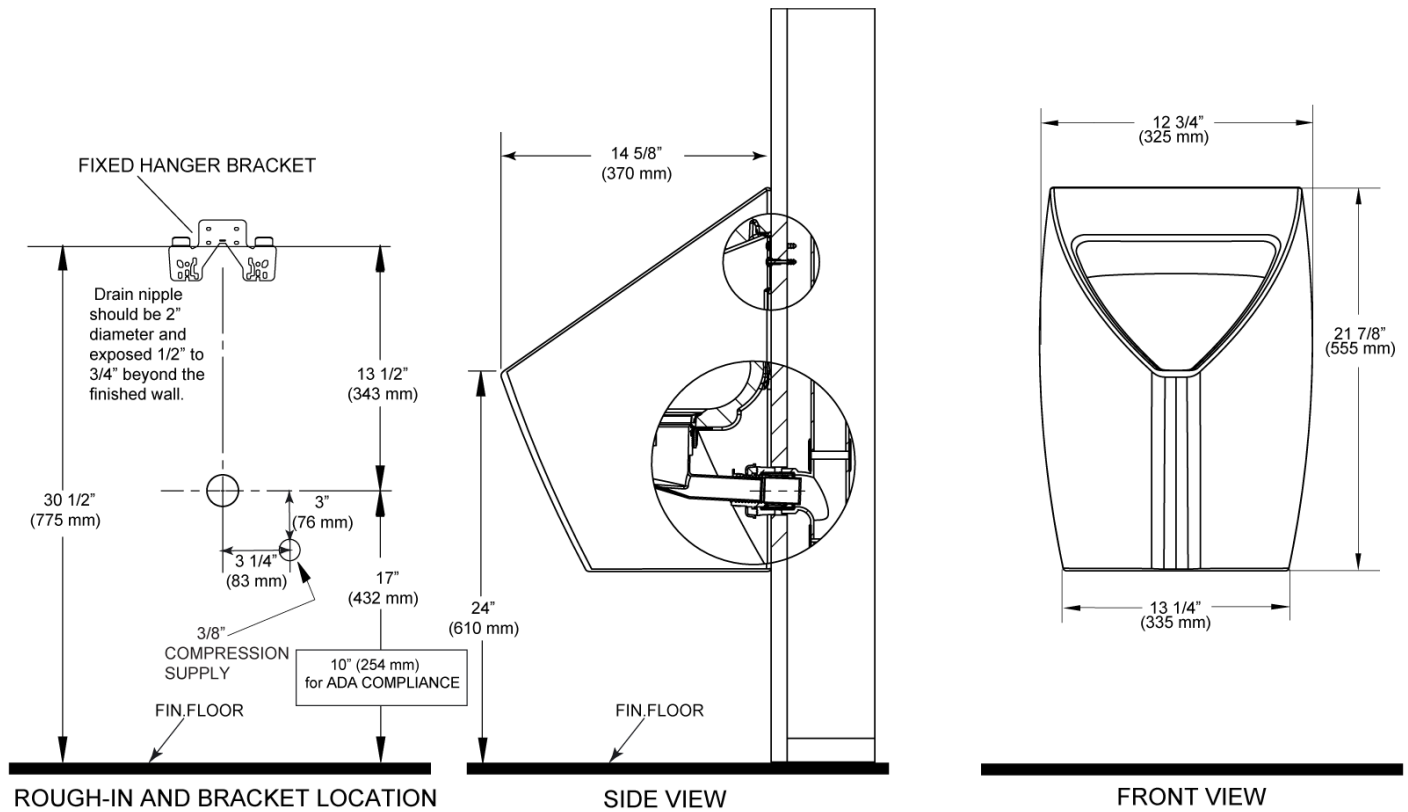
All information contained within this document subject to change without notice.

All vitreous china dimensions shown in these drawings are nominal and not to scale. Dimensions can vary within the tolerances established in the governing ASME A112.19.2/CSA B45.1 standard. It is important to consider this when planning rough-in and plumbing layouts.

DO NOT install on copper DWV due to copper's susceptibility to corrosion.

[Find a compatible flushometer](#) for this urinal.

ROUGH-IN



NOTE: ADA urinal rim height requirements allow all heights 17" and below. Sloan strongly recommends roughing in the drain to achieve a 16 1/2" rim height or less to ensure compliance.