

CODE NUMBER

10001403

DESCRIPTION

SU-1009 Urinal and ROYAL 186 SMOOTH Flushometer.

COMPONENTS

- Flushometer: Code 3912698
- Urinal: Code 1101009

DETAILS

- Flush Volume: 0.125 gpf (0.5 Lpf)
- Nominal Dimensions: 14 ¼" x 17 ¼" x 25 ½" (362 x 438 x 648mm)

FLUSHOMETER FEATURES

- Non-Hold-Open Handle, Fixed Metering Bypass and No External Volume Adjustment to Ensure Water Conservation
- PERMEX® Synthetic Rubber Diaphragm with Dual Linear Filtered Bypass
- "User in View" Flashing LED
- Sweat Solder Adapter w/Cover Tube and Cast Wall Flange w/Set Screw
- Optima SMOOTH Unit
- Sensor with Automatic Range Adjustment
- Mechanical Manual Override Flush Handle
- ADA Compliant Metal Oscillating Non-Hold-Open Handle
- ¾" I.P.S. Wheel Handle Bak-Chek® Angle Stop
- Diaphragm, Stop Seat and Vacuum Breaker to be molded from PERMEX® rubber compound for Chloramine resistance
- ADA Compliant OPTIMA® SMOOTH® Battery Powered Infrared Sensor for automatic "Hands-free" operation

FIXTURE FEATURES

- White Vitreous China
- Washdown flushing action
- Integral flushing rim
- ¾" I.P.S. top spud inlet
- 2" NPT outlet flange
- Vandal resistant strainer assembly included
- All mounting hardware included
- 100% factory flush tested



COMPLIANCES & CERTIFICATIONS



(ADA Compliant, cUPC Green Certified, WaterSense Listed, BAA Compliant, CEC Compliant, CalGreen Compliant, Satisfies LEED Credits)

DOWNLOADS

- [Standard Spud Urinal Installation Instructions](#)
- [SS/ST/SU/WETS/WEUS Fixtures Repair and Maintenance Guide](#)
- [Additional Downloads](#)

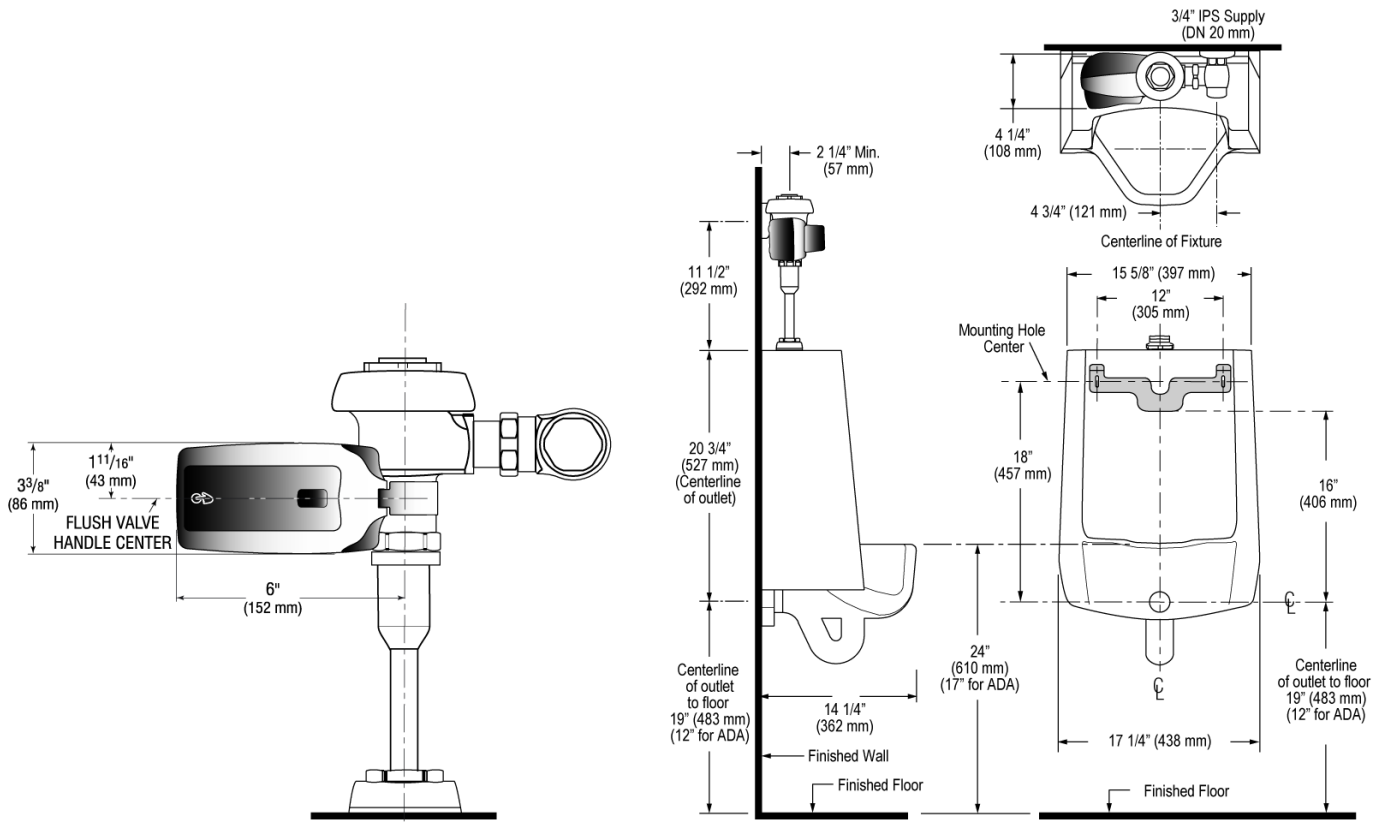
NOTES

All information contained within this document subject to change without notice.

Sloan 10500 Seymour Ave, Franklin Park, IL 60131

Phone: 800.982.5839 • Fax: 800.447.8329 • sloan.com

ROUGH-IN



Sloan 10500 Seymour Ave, Franklin Park, IL 60131

Phone: 800.982.5839 • Fax: 800.447.8329 • sloan.com