

SharkBite® Water Heater Installation Kit

DESCRIPTION

The SharkBite® Water Heater Installation Kit is designed to simplify water heater installation.

The kit features special push-to-connect fittings that allow the user to connect water distribution pipe in seconds with relative ease.

FEATURES AND BENEFITS

Instant push-to-connect connection for increased ease-of-use:

No soldering, clamps, unions, or glue required.

Fittings certified to a maximum 200 PSI and 200°F (93°C):

Proven durability and quality.

Fits copper tubing, and CTS CPVC, PEX PE-RT:

Connects all four types in any combination.

Integral pipe liner for PEX installations:

Integrated design means no loose components, ensures secure, reliable connection.

Design certified and agency listed:

Inspector friendly, peace of mind!

Compact, robust DZR brass body:

Foundation of a strong, corrosion resistant, durable fitting.

Design certified to ANSI/NSF-61 and ASSE 1061 product standard for use in potable water and hydronic heating water distribution:

Quality engineered and manufactured.

Approved to be used underground and behind walls without access panels.

Designed for hydronic heating as well as potable water distribution.

SPECIFICATION

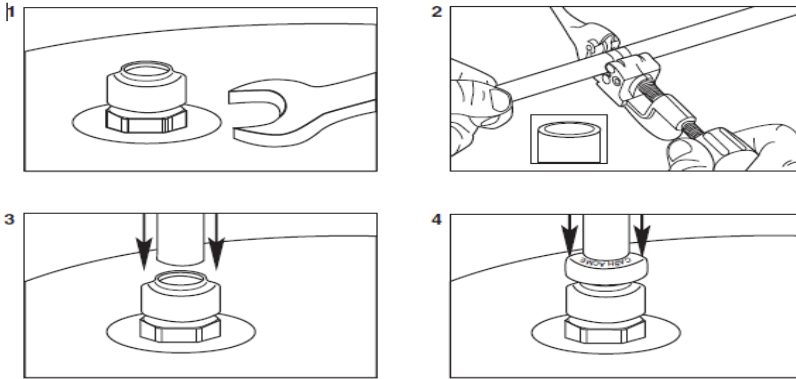
The pipe shall be inserted into the SharkBite® Push-To-Connect (PTC) fitting in the first stage through a release collar and then through a stainless steel grab ring. The grab ring has teeth that open out and grip onto the pipe. At the second stage the pipe shall be pushed through an O-ring protector which aligns the pipe. A specially formulated EPDM O-ring shall be compressed between the wall of the fitting and the tube before the end of the pipe reaches the pipe stop. Only when the pipe has passed through the O-ring and reached the tube stop shall a secure joint be created. The kit shall be a SharkBite Water Heater Installation Kit.



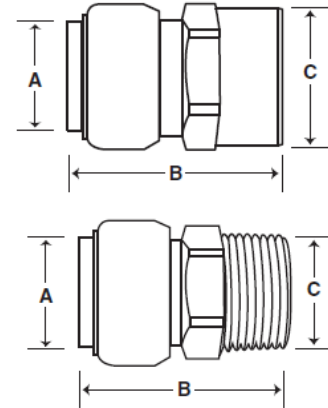


SharkBite® Water Heater Installation Kit

TYPICAL INSTALLATION



(Please consult with local plumbing codes concerning specific water heater piping requirements.)



SharkBite® Water Heater Kit Dimensions

SPECIFICATION DATA

Performance:

Maximum working pressure 200 psi
 Maximum temperature 200°F (93°C)
 Service Potable water

Materials:

Body DZR Lead Free Brass
 Grab teeth Stainless steel
 O-ring EPDM
 Tube support liner Veradel

Kit	A	B	C
1/2" x 3/4" FNPT (U068LF)	1/2"	1.75"	3/4" FNPT
3/4" x 3/4" FNPT (U088LF)	3/4"	1.79"	3/4" FNPT

AVAILABLE CONNECTIONS

Threaded (NPT)

CERTIFICATIONS

The SharkBite PTC fittings have been design certified and listed to ASSE 1061, NSF/ANSI 61, and NSF 372. The SharkBite PTC fittings are listed by IAPMO and are certified for potable and hydronic heating water distribution (note: Glycol mixture for hydronics is acceptable up to and including 100% concentration). The SharkBite PTC fittings have been certified for underground applications and as a manufactured joint without access panels and they meet UPC, IPC and cUPC requirements.

