



# SharkBite® Reclaimed PEX Pipe

## DESCRIPTION

SharkBite® PEX Pipe is a silane cross-linked polyethylene pipe for use in residential or commercial applications.

### Applications:

- Reclaimed Water – Purple PEX

## FEATURES AND BENEFITS

### Flexibility

- Reduces the number of fittings needed to complete jobs; saving on overall cost and reducing leak points

### Freeze Resistance

- PEX pipe is freeze-resistant and can expand slightly if frozen; PEX will contract back to its original form when thawed. PEX is not freeze-proof, PEX should be insulated to prevent freezing

### Insertion Depth Markings

- Pre-printed insertion depth markings for SharkBite Universal Push-to-Connect fittings

### Made in the USA

- Manufactured and tested in Cullman, AL

### Warranty

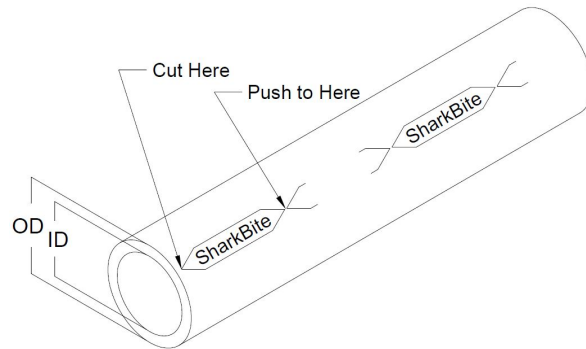
- 25-year warranty



## DIMENSIONAL DATA

PEX Size (CTS)	OD (in)	Wall Thickness (in)	Median ID (in)	Weight Per Ft. (lb)	Volume per Ft. (gal)
1/2"	0.625 ± 0.004	0.070 + 0.010	0.475	0.054	0.025
3/4"	0.875 ± 0.004	0.097 + 0.010	0.671	0.103	0.035
1"	1.125 ± 0.005	0.125 + 0.013	0.862	0.17	0.045

Note: Dimensions are in English units. Tolerances referenced from ASTM F876.





# SharkBite® Reclaimed PEX Pipe

## PERFORMANCE DATA

---

### PEX Material Designation Code:

- 0006 PEX rating
  - (0) Chlorine Resistance – rated for reclaimed ambient water temperature only
  - (0) No UV Resistance
  - (06) Stress tested to 630 psi at 73° F

### Temperature Performance:

- Minimum working temperature 33°F (0.5°C)
- Maximum working temperature 73°F (93.3°C)
- Maximum working pressure is 160 psi

### Material:

- Reclaimed water PEX is intended for non-potable plumbing systems

### Burial:

- PEX pipe is approved for burial applications and to be submerged under concrete

### Compatible fittings:

- PEX pipe approved for use with push-to-connect (ASSE 1061), plastic barb (ASTM F2159), and brass barb (ASTM F1807) fittings

## CERTIFICATIONS

---

SharkBite PEX pipe is approved for use in all national and local codes in the US and Canada. Certified and listed to the following standards:

- **ANSI/NSF 14** – Plastics Piping System Components and Related Materials
- **ASTM F876** – Standard for Cross-linked Polyethylene (PEX) Tubing
- **ASTM F877** – Standard for Cross-linked Polyethylene (PEX) Hot- and Cold-Water Distribution Systems
- **CSA B137.5** – Thermoplastic Pressure Piping Compendium

## SPECIFICATION

---

- System shall be plumbed using SharkBite Pipe cross-linked polyethylene pipe and all joints shall be made using SharkBite push-to-connect fittings, brass SharkBite barb fittings or polymer SharkBite barb fittings used with copper crimp rings or stainless steel clamps. Pipe and fittings shall be installed as outlined in the SharkBite PEX installation manual

Job Name:	
Job Location:	
Engineer	
Contractor:	
Tag:	

