

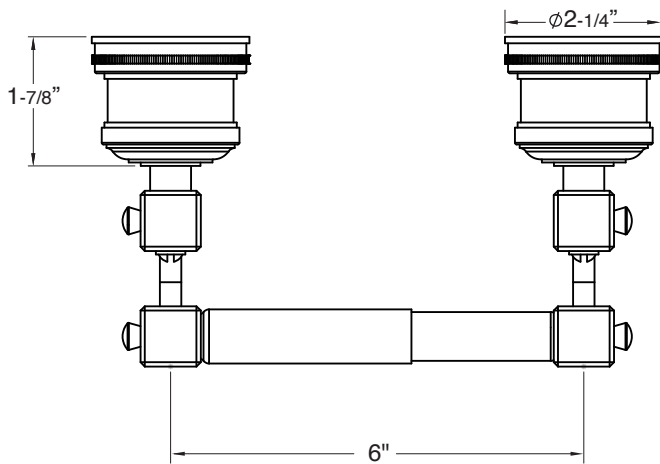
FEATURES:

- All brass construction.
- Available in all Sigma finishes.
- Warranty varies according to finish selection.
- Mounting brackets and screws are supplied.

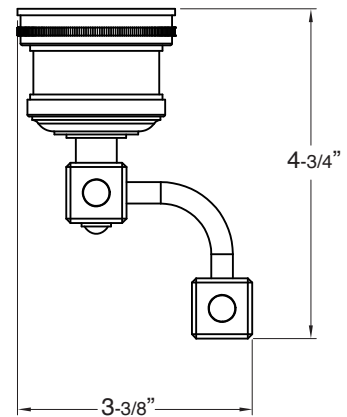
Accessories

Series 53
Paper Holder

1.53PH00



BOTTOM VIEW



SIDE VIEW

Note: Measurements are subject to change or cancellation. No responsibility is assumed for use of superseded or voided pages.