

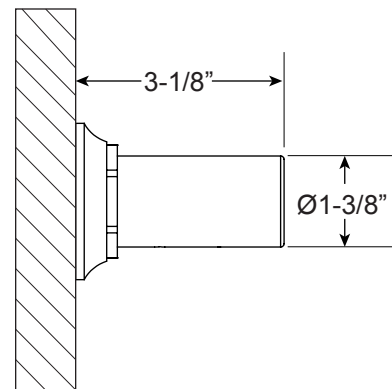
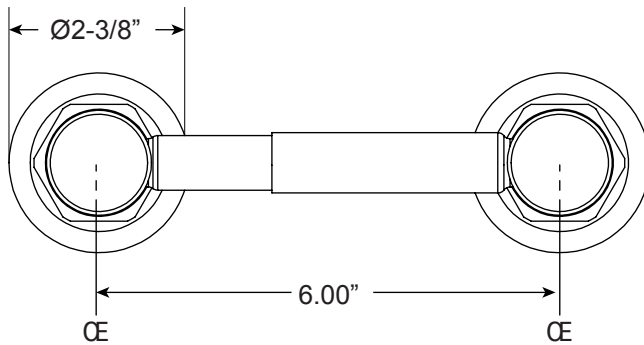
FEATURES:

- All brass construction.
- Available in all Sigma finishes.
- Warranty varies according to finish selection.
- Mounting bracket and screws are supplied.

Series 31
Accessories

1.31PH00

Paper Holder



Finished Wall