

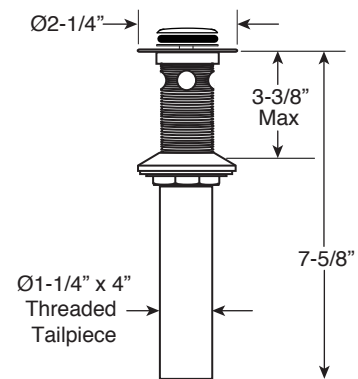
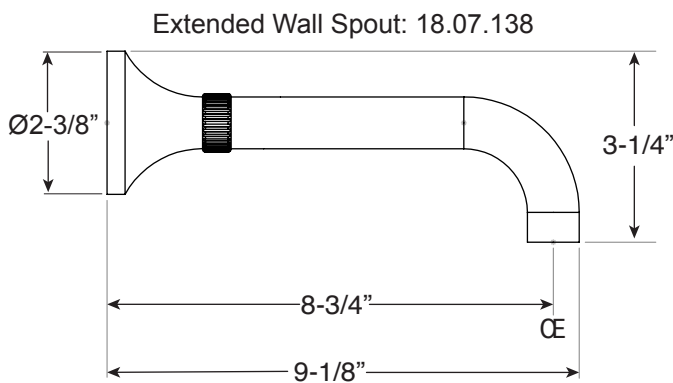
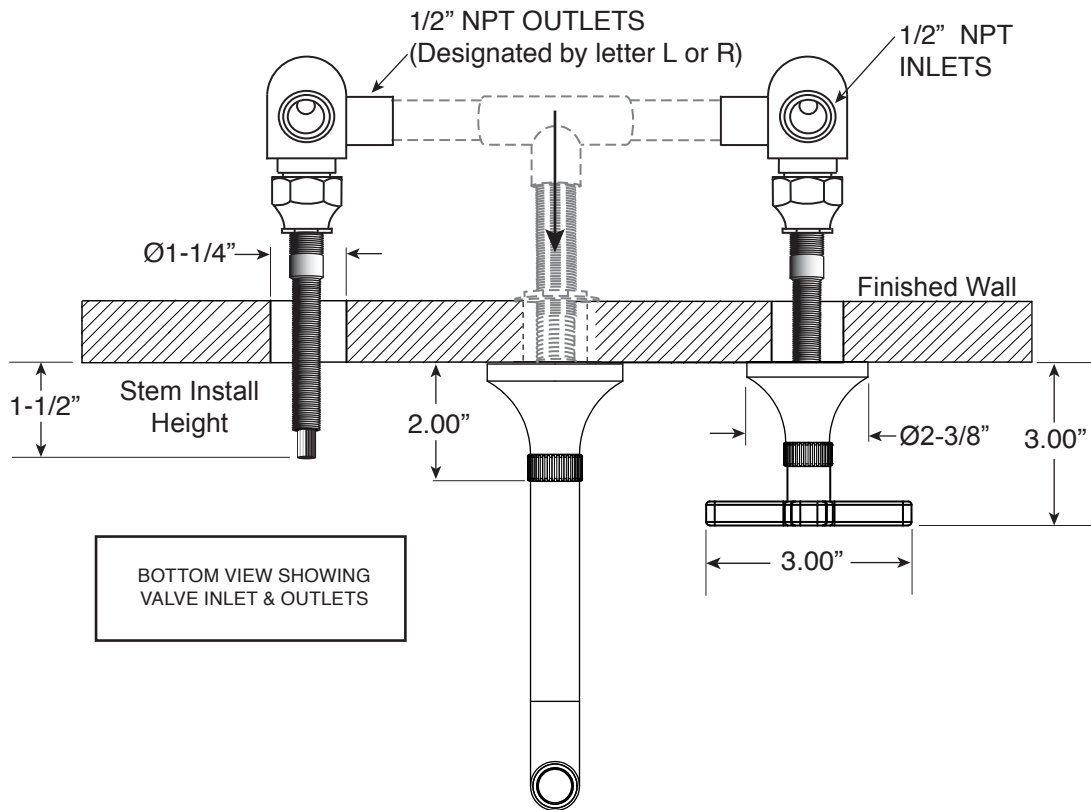
**FEATURES:**

- All brass construction
- Independent corner valves
- Includes soft touch drain w/overflow: P/N 18.11.052
- 1/4-turn ceramic disc valve cartridge.
- Available in all finishes. Warranty varies according to finish selection.
- Certified to meet or exceed the following codes and standards:  
ASME A112.18.1/CSAB 125.1-2012

**Series 110**

**Wall/Vessel Lavatory Set  
Stella X Handle  
Euro Style 20 pt.**

1.110807S  
(1.110807ST - Trim Only)



**Soft Touch  
Drain Assembly  
P/N: 18.11.052**

Note: Measurements are subject to change. No responsibility is assumed for use of superseded or voided pages.