

Features:

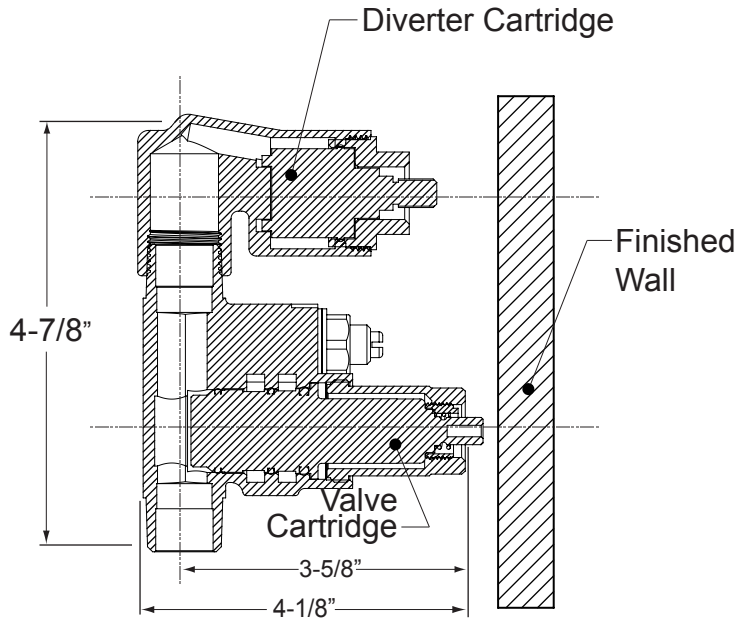
- Forged Brass Construction
- Adjustable Hot Limit Safety Stop with Push-In Override
- Flow capacity / Diverter - 4.5 GPM / 45 psi
- Certified to meet or exceed the following codes and standards:  
ASME A112.18.1/CSAB 125.1-2012

**Mixx**

**E-Mini Therm Valve  
Remote Thermostatic Valve  
with Two-Way Diverter**

**1.0S3251T**  
5-3/4" x 3-3/4"

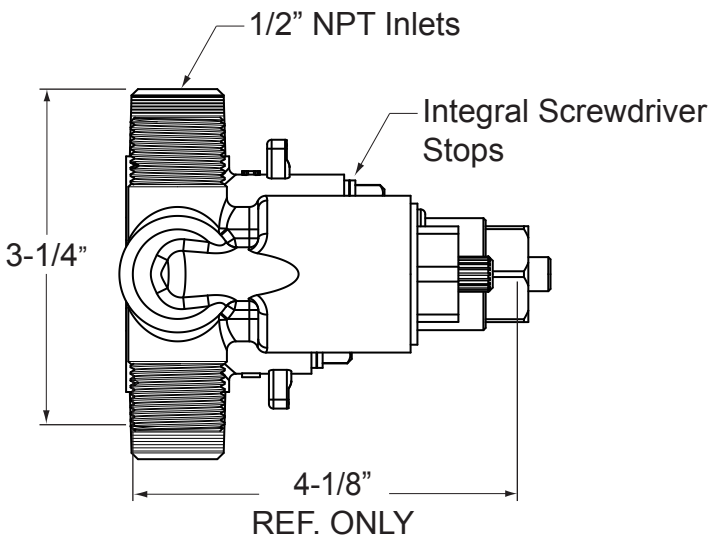
**Rough-In Leftside Cutaway View**



\*NOTE: Stem and All-Thread Tube will be sent with Handle Trim.

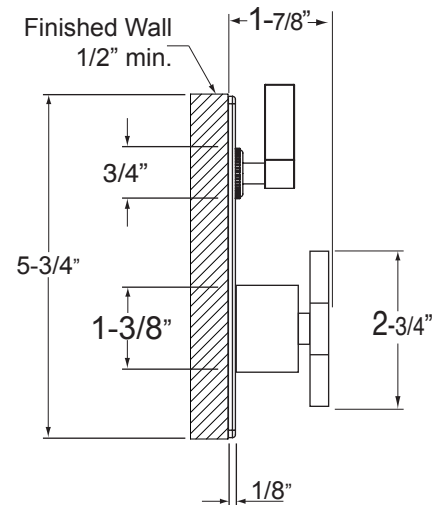
NOTE: MUST purchase Showerhead, Arm, Flange, and other options separately.

**Rough-In Top View**



\*NOTE: Stem and All-Thread Tube will be sent with Handle Trim.

**Rectangle Faceplate Leftside View**



NOTE: Measurements are subject to change or cancellation. No responsibility is assumed for use of superseded or voided pages.