

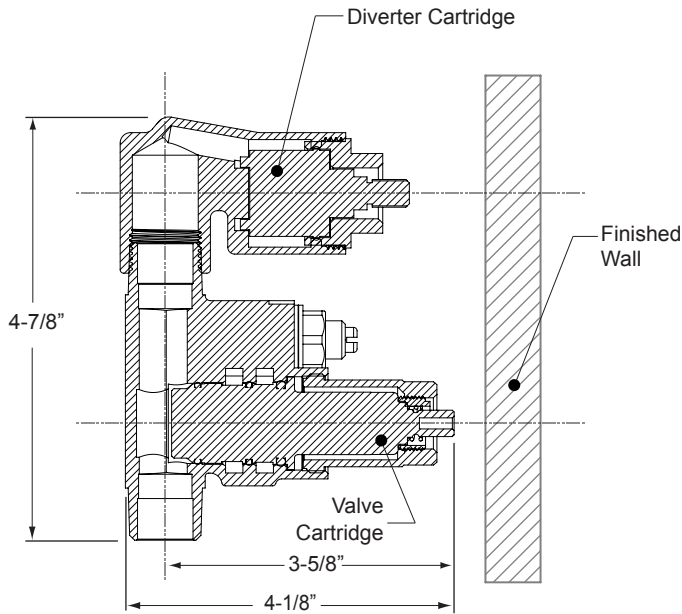
## Tribeca (29)

### E-Mini Therm Valve Remote Thermostatic Valve with Two-Way Diverter

**FEATURES:**

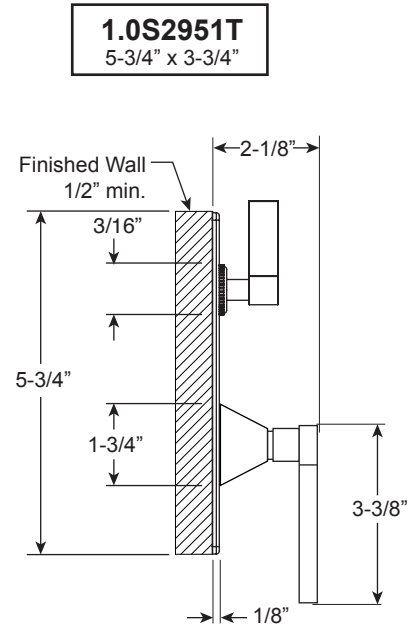
- Forged Brass Construction
- Adjustable Hot Limit Safety Stop with Push-In Override
- Flow capacity / Diverter: 4.5 GPM @ 45 psi
- **MUST purchase Showerhead, Arm, Flange, and other options separately.**
- Certified to meet or exceed the following codes and standards:  
ASME A112.18.1/CSAB 125.1-2012

**Rough-In Leftside Cutaway View**

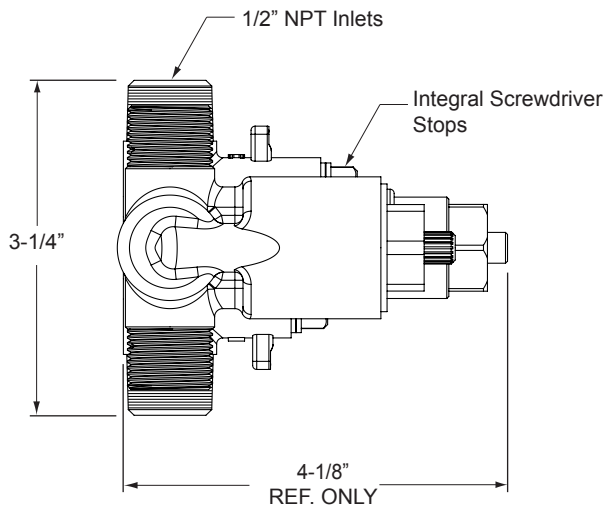


\*NOTE: Stem and All-Thread Tube will be sent with Handle Trim.

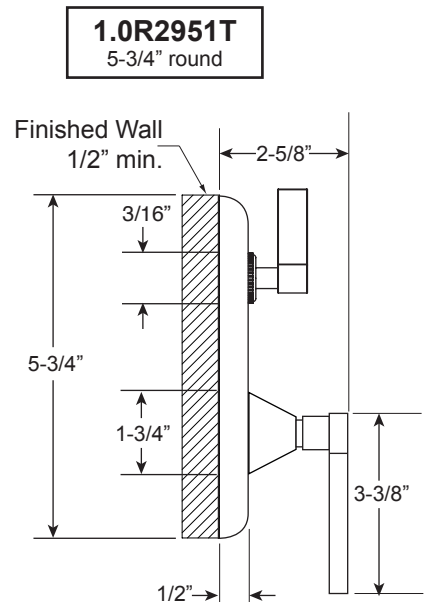
**Rectangle Faceplate Leftside View**



**Rough-In Top View**



**Round Faceplate Leftside View**



Note: Measurements are subject to change. No responsibility is assumed for use of superseded or voided pages.