

Series 310

3/4" Thermostatic Valve & Trim Set

FEATURES:

- Solid brass Construction
- Thermostatic valve cartridge with cover plate: 18.30.147
- Thermostatic reverse cartridge with cover plate: 18.30.161
- 14.28 GPM @ 56 PSI top exit & 11.10 GPM bottom exit
- **NOTE: Separate shut offs required to operate system.**
- Certified to meet or exceed the following codes and standards:
ASME A112.18.1/CSAB 125.1-2012

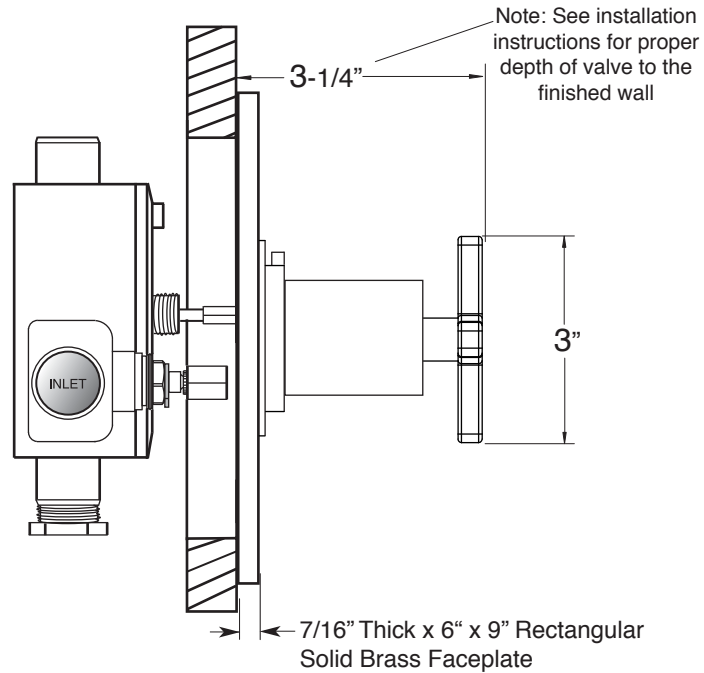
1.063997D

(1.063997DT - Trim Only)

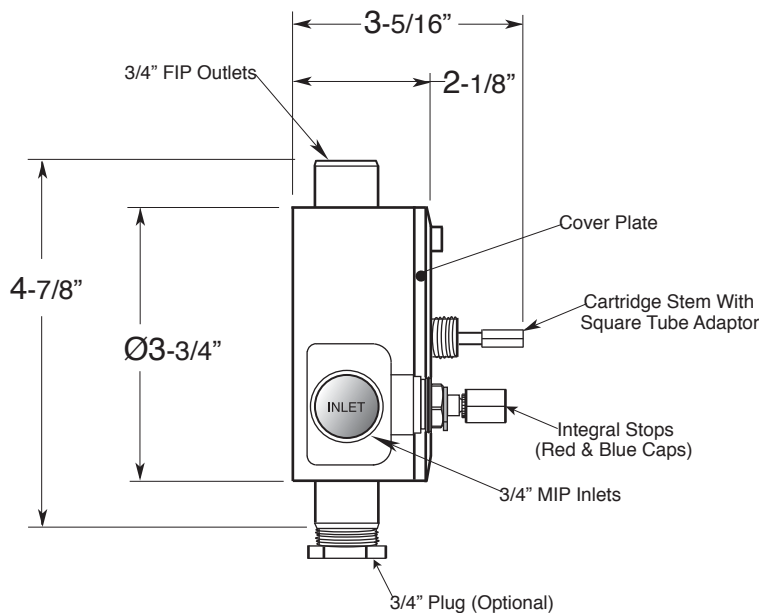
Tribeca X Handle (39)

Euro Style 20 pt.

SIDE VIEW - INSTALLED



SIDE VIEW - VALVE ONLY



Note: Measurements are subject to change or cancellation. No responsibility is assumed for use of superseded or voided pages.