

**FEATURES:**

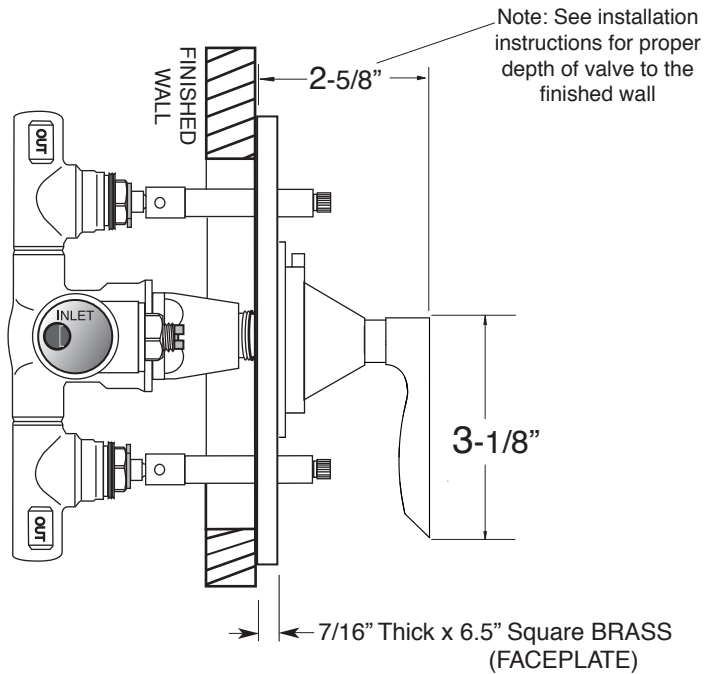
- Forged brass construction.
- Thermostatic valve cartridge: 18.30.082
- Shut-off cartridge: (2) 18.30.036
- Screw driver spring check valve: (2) 18.30.181
- 14.5 GPM @ 45 PSI (9.5 top exit / 5.0 bottom exit)
- Meets: ASME A112.18.1/CSA B125.1-2012

**1/2" Thermostatic**

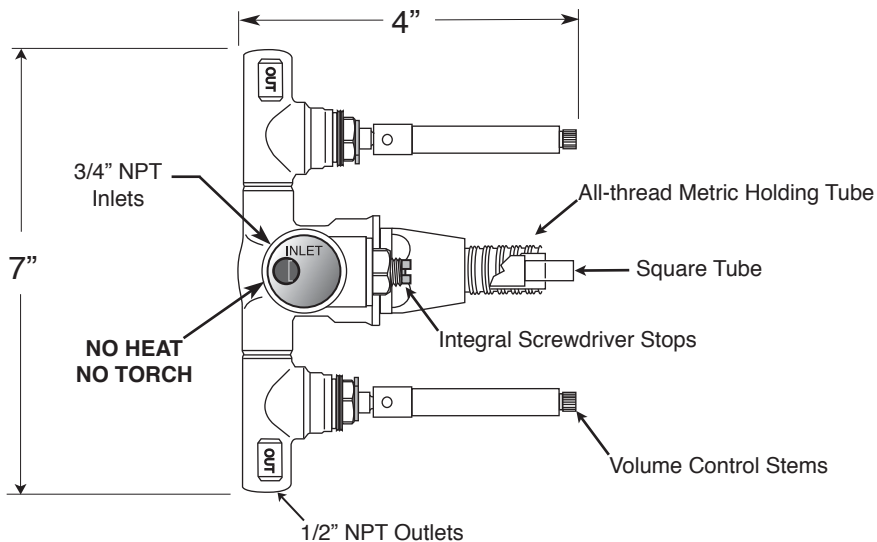
**Two Volume Control  
Valve & Trim  
Lisse Handle**

1.058396.V2  
(1.058396.V2T Trim Only)

SIDE VIEW - INSTALLED



SIDE VIEW - VALVE ONLY



Note: Measurements are subject to change or cancellation. No responsibility is assumed for use of superseded or voided pages.