

Series 310

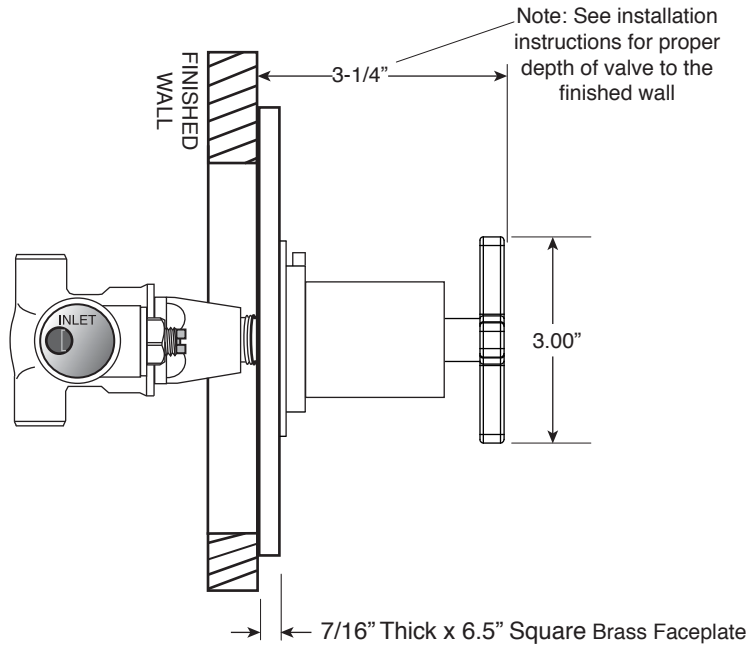
FEATURES:

- Solid brass Construction
- Thermostatic valve cartridge: 18.30.082
- Screw driver spring check valve: (2) 18.30.181
- 14.5 GPM @ 45 PSI (9.5 top exit)
- **NOTE: Separate shut-offs required to operate system.**
- Certified to meet or exceed the following codes and standards:
ASME A112.18.1/CSAB 125.1-2012

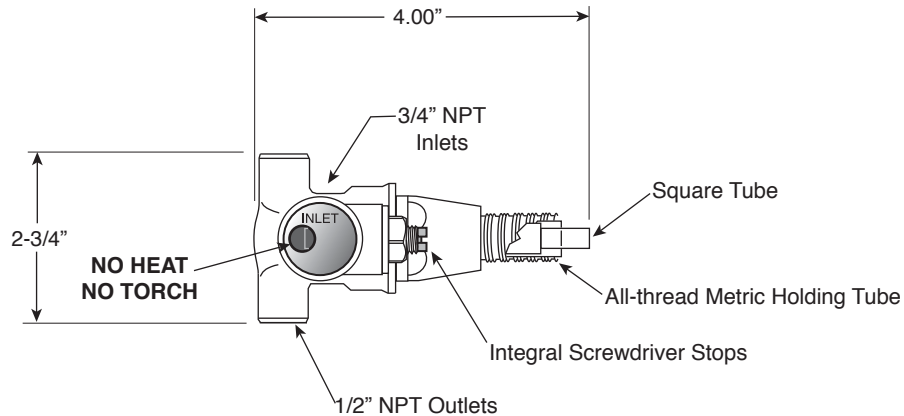
1/2" Thermostatic Valve & Trim Set No Volume Control Tribeca X Handle (39)

1.053996.V0
(1.053996.V0T Trim Only)
Euro Style 20 pt.

SIDE VIEW - INSTALLED



SIDE VIEW - VALVE ONLY



Note: Measurements are subject to change. No responsibility is assumed for use of superseded or voided pages.