

**Series 310**

1/2" Thermostatic Valve & Trim Set

One Volume Control

1.052996.V1

(1.052996.V1T - Trim Only)

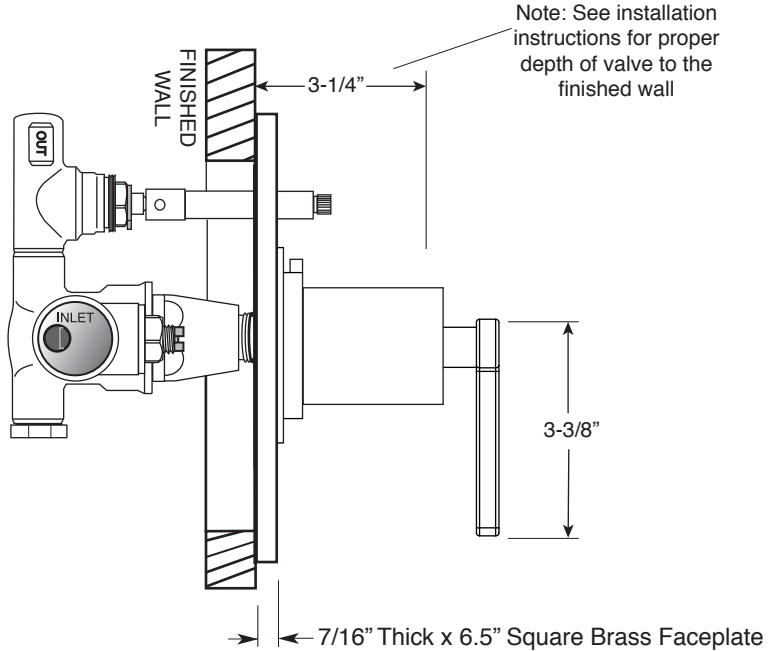
**Tribeca Handle (29)**

Euro Style 20 pt.

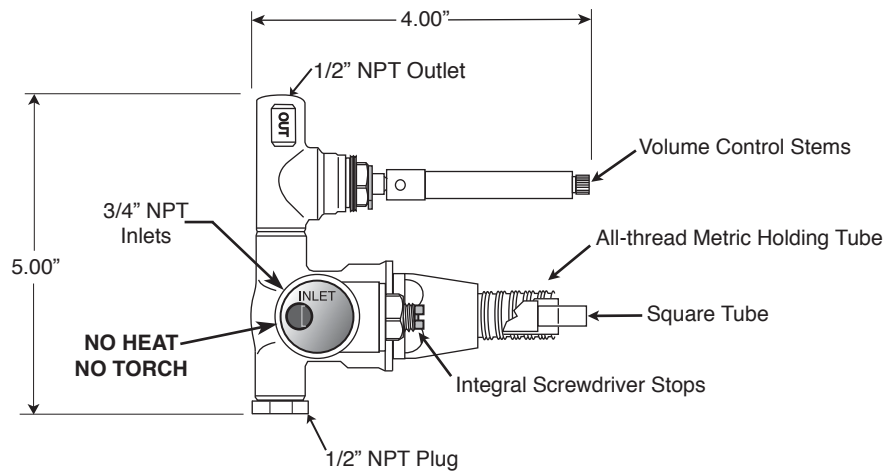
**FEATURES:**

- Solid brass Construction
- Thermostatic valve cartridge: 18.30.082
- Shut-off cartridge: (1) 18.30.036
- Screw driver spring check valve: (2) 18.30.181
- 14.5 GPM @ 45 PSI (9.5 top exit)
- Certified to meet or exceed the following codes and standards:  
ASME A112.18.1/CSAB 125.1-2012

SIDE VIEW - INSTALLED



SIDE VIEW - VALVE ONLY



Note: Measurements are subject to change. No responsibility is assumed for use of superseded or voided pages.