

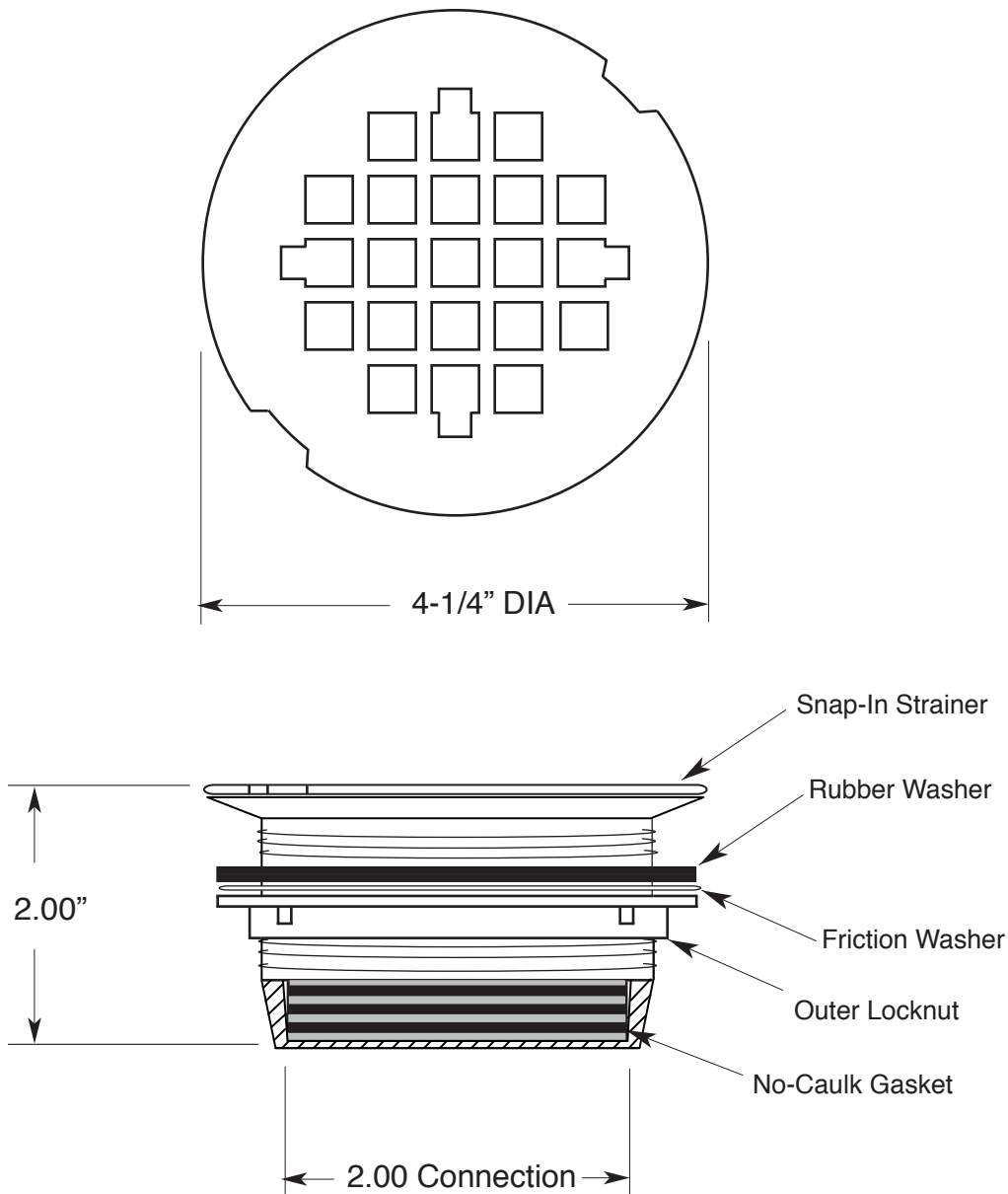
FEATURES:

- Cast brass construction.
- Outer and inner locknut.
- Steel wrench supplied to tighten inner locknut.
- Available in all finishes.
- Certified to meet or exceed the following codes and standards:
ASME A112.18.1/CSAB 125.1-2011

APS
American Plumbing Specialties

**2" Brass No-Caulk
Compression Shower Drain**

APS.11.290



Note: Measurements are subject to change or cancellation. No responsibility is assumed for use of superseded or voided pages.