

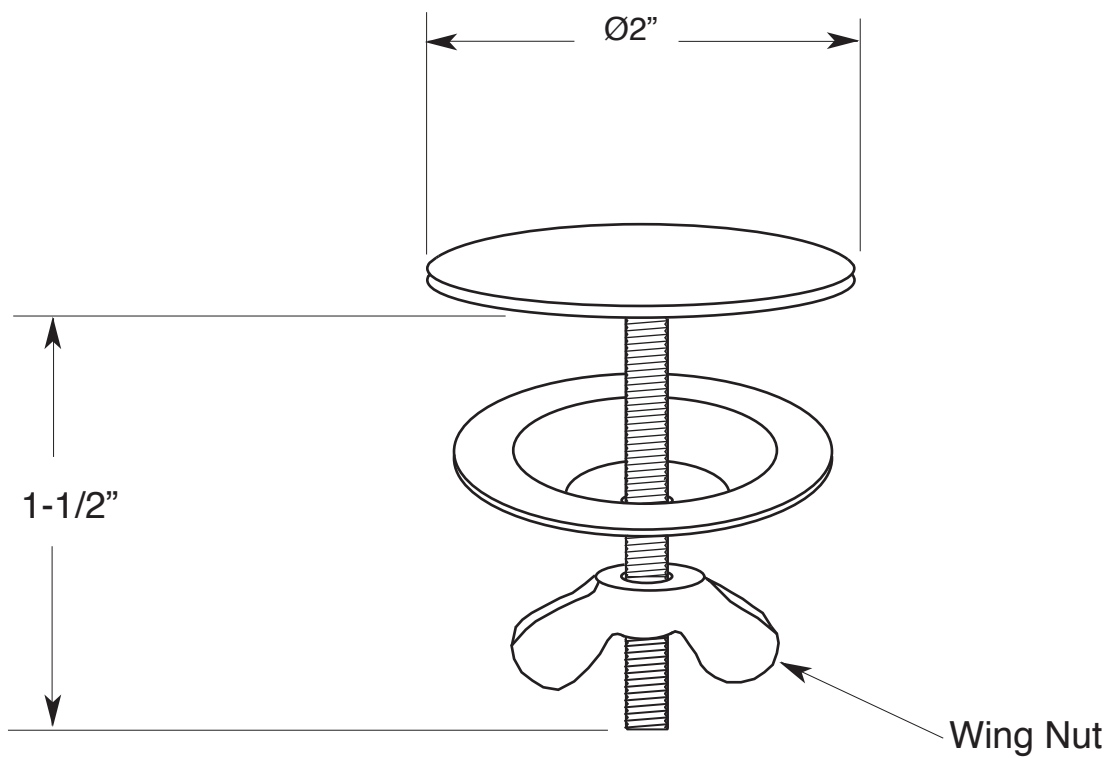
FEATURES:

- Available in all Sigma finishes.
- Designed for Stainless Steel, Porcelain or Cast Iron sinks.
- Maximum deck thickness: 1-1/4"

Kitchen & Bar

**Faucet Hole Cover
2 Inch Diameter**

18.11.270



Note: Measurements are subject to change or cancellation. No responsibility is assumed for use of superseded or voided pages.