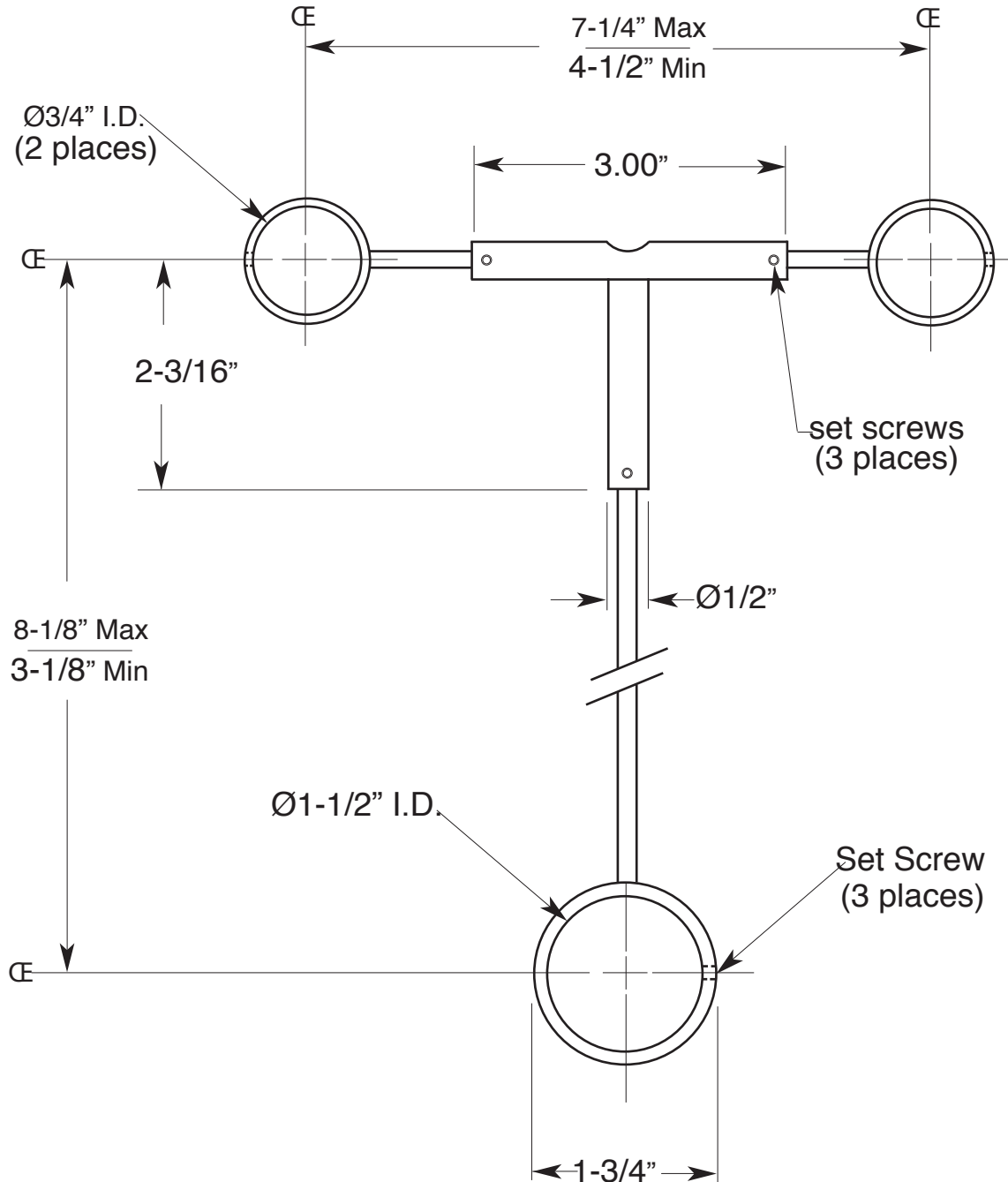


FEATURES:

Stablizer Tee

18.11.250

- All brass construction
- Can be used to support Butler Mill Floor Telephone Set
- Available in all Sigma finishes
- Certified to meet or exceed the following codes and standards:
ASME A112.18.1/CSAB 125.1-2011



Note: Measurements are subject to change or cancellation. No responsibility is assumed for use of superseded or voided pages.