

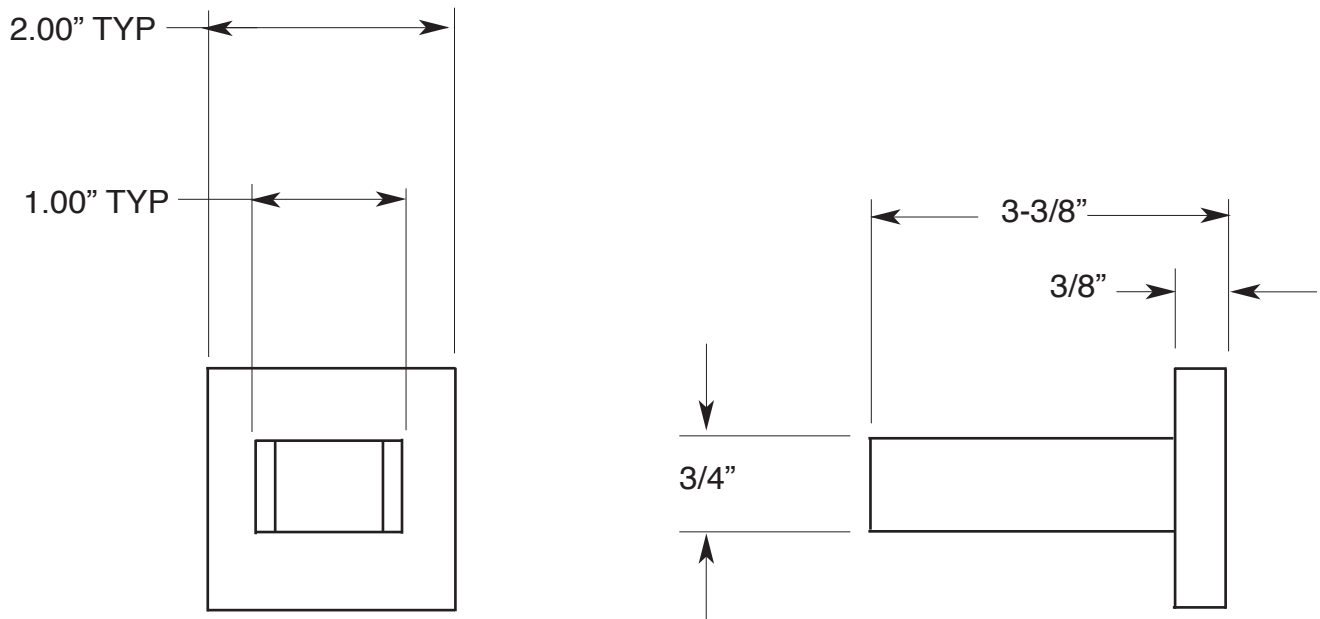
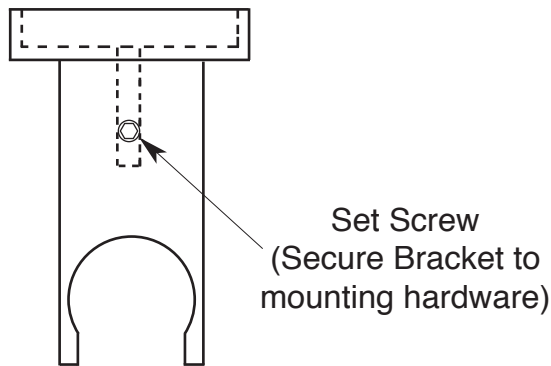
## FEATURES:

- All brass construction
- Available in all Sigma finishes
- Comes with mounting hardware.
- Certified to meet or exceed the following codes and standards:  
ASME A112.18.1/CSAB 125.1-2011

## Handshower Accessory

### Wall Bracket with Square Wall Flange for Handheld Shower

18.10.133



Note: Measurements are subject to change or cancellation. No responsibility is assumed for use of superseded or voided pages.