

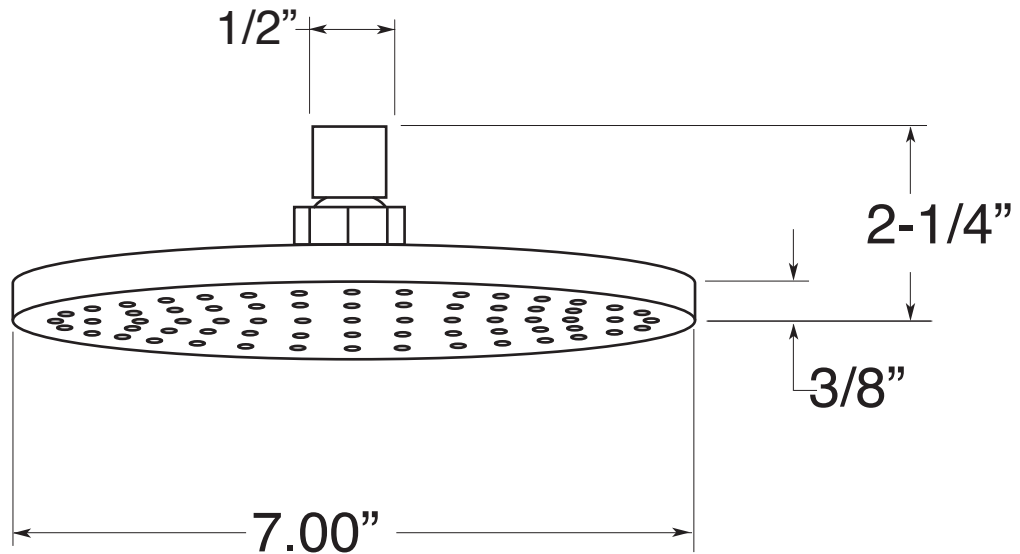
## FEATURES:

- All brass construction
- 1/2" female inlet with swivel connection
- Flexible spray nozzles allow for easy removal of hard water build-up
- 2.5 gpm flow restrictor installed
- Water saving 2.0 gpm available - upon request
- Available in all Sigma finishes
- Certified to meet or exceed the following codes and standards:  
ASME A112.18.1/CSAB 125.1-2011

## Showerhead

### 7" Round Easy Clean Showerhead

18.10.042



Note: Measurements are subject to change or cancellation. No responsibility is assumed for use of superseded or voided pages.