

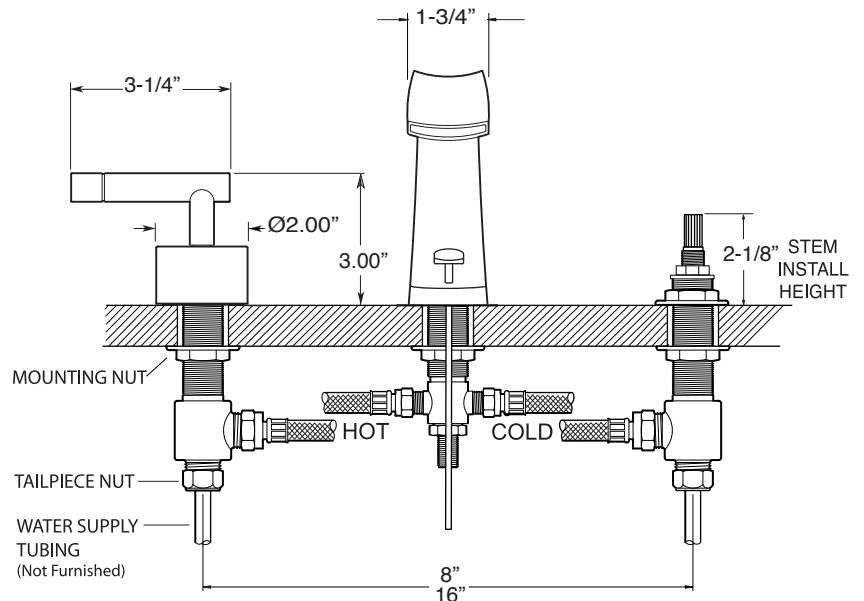
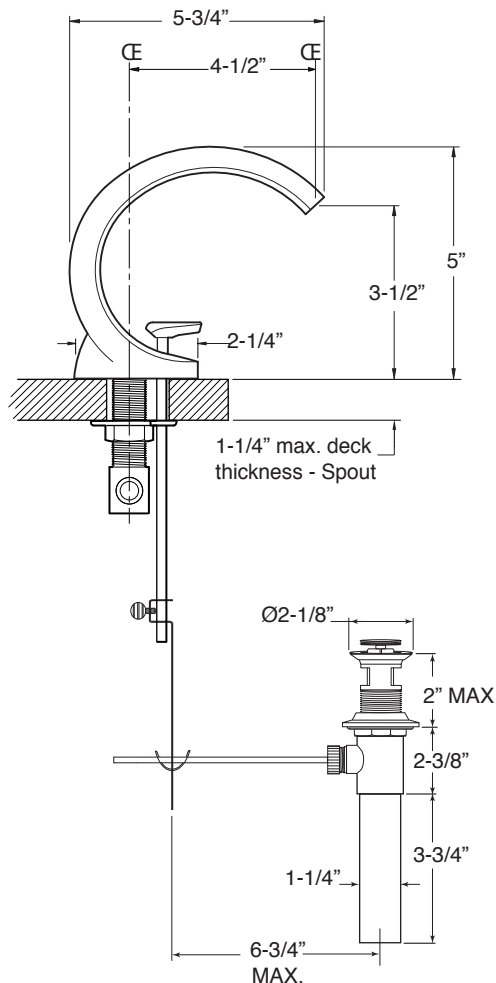
1.904408

Palermo

Widespread Lavatory Set

FEATURES:

- All brass construction. Flexible hoses designed to be installed on 8" to 16" centers. Includes lift and turn style drain assembly.
- Lever style handles with setscrew attachment.
- 1/4-turn ceramic disc valve cartridge.
- Available in all finishes. Warranty varies according to finish selection.
- Flow restrictor in spout tee is limited to 1.2 gpm.
- Certified to meet or exceed the following codes and standards:
ASME A112.18.1/CSAB 125.1-2012



NOTE: Spout and valves install through 1-1/4" diameter holes

Note: Measurements are subject to change or cancellation. No responsibility is assumed for use of superseded or voided pages.