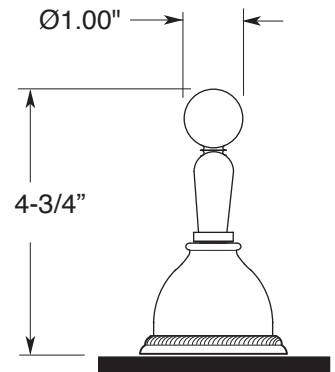
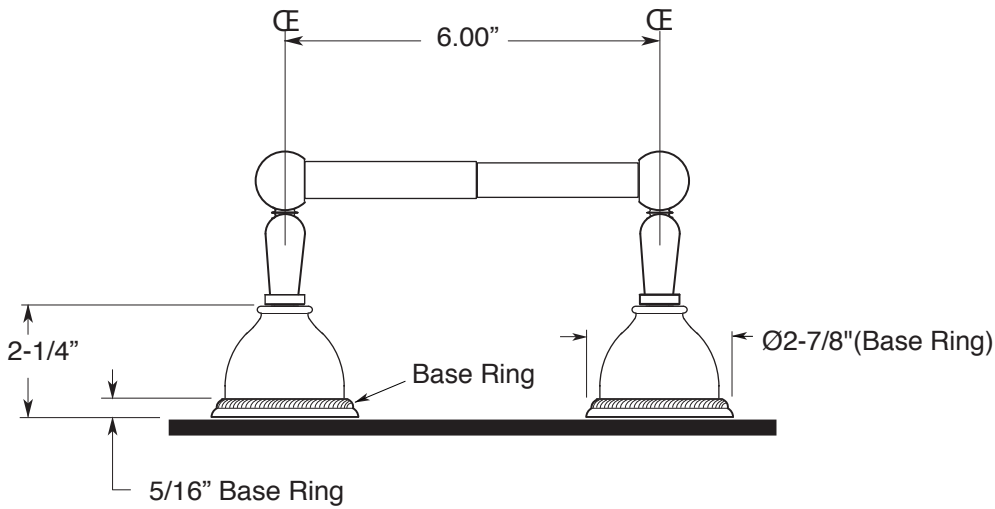


**FEATURES:**

- All brass construction.
- Available in all Sigma finishes. Warranty varies according to finish selection.
- Mounting brackets and screws are supplied.

**Accessories**

Series 86  
**Paper Holder**  
1.86PH00



Note: Measurements are subject to change or cancellation. No responsibility is assumed for use of superseded or voided pages.