

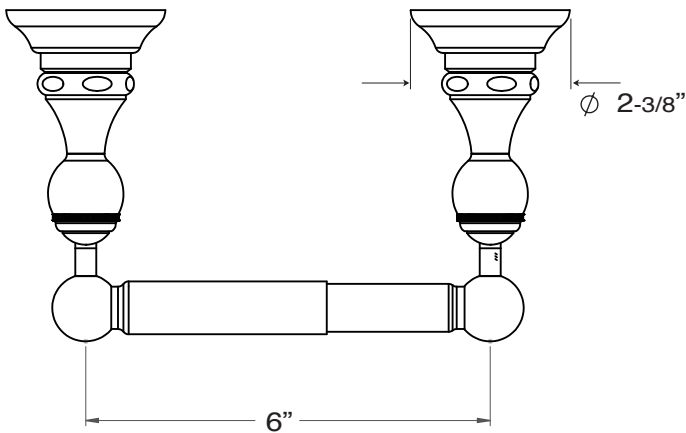
**FEATURES:**

- All brass construction.
- Available in all Sigma finishes.
- Warranty varies according to finish selection.
- Mounting brackets and screws are supplied.

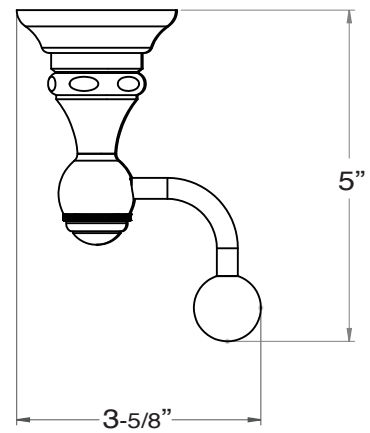
**Accessories**

Series 61  
**Paper Holder**

1.61PH00



**BOTTOM VIEW**



**SIDE VIEW**

Note: Measurements are subject to change or cancellation. No responsibility is assumed for use of superseded or voided pages.