

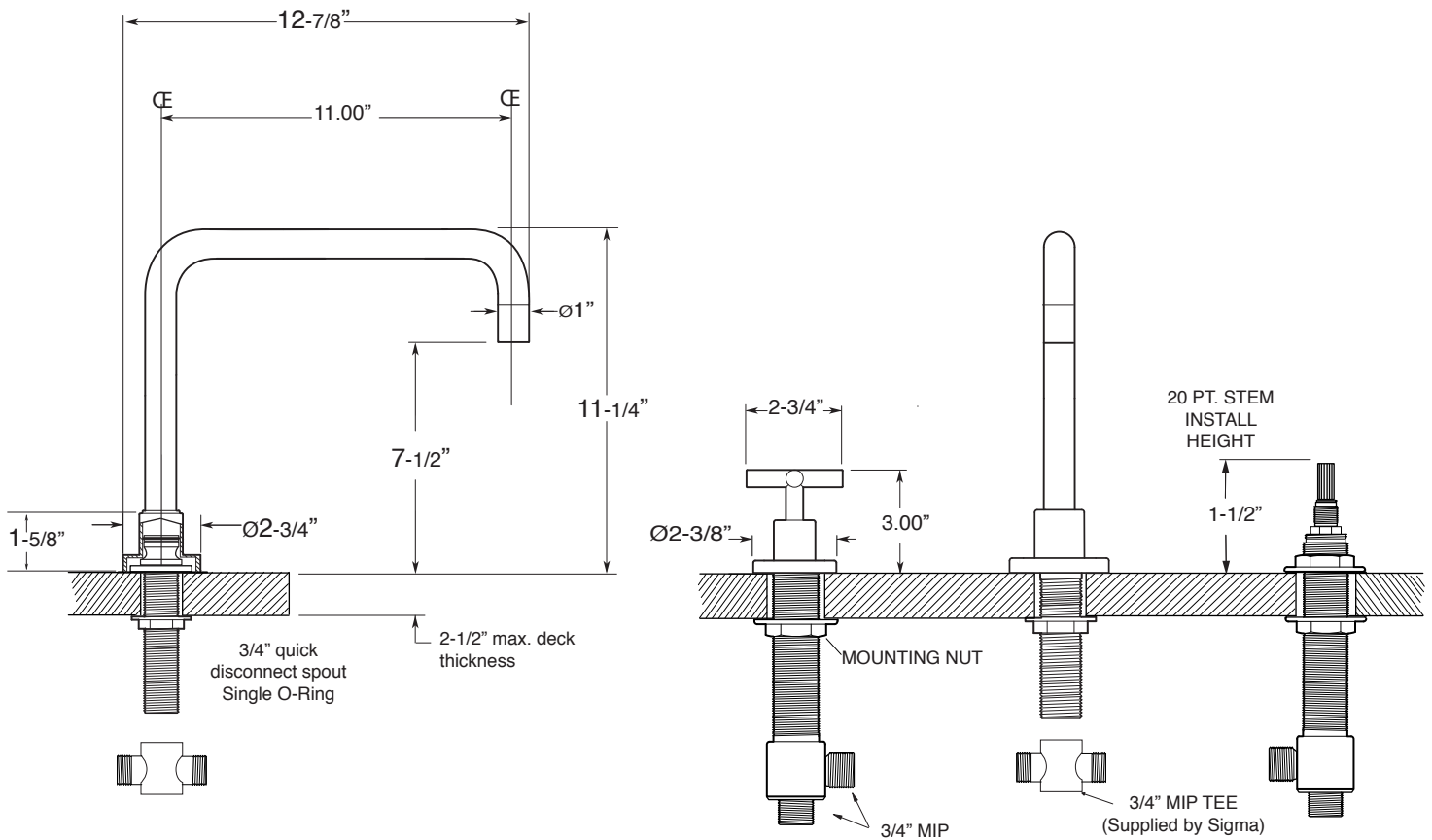
**FEATURES:**

- All brass construction.
- Cross style handle with inside screw attachment.
- 3/4" valve bodies with 20 PT. 1/4-turn ceramic disc cartridge.
- Available in all finishes. Warranty varies according to finish.
- Certified to meet or exceed the following codes and standards:  
ASME A112.18.1/CSAB 125.1-2012

**Series 4400**

**Roman Tub Set  
Nova II Handle**

1.444877  
(1.444877T - Trim Only)



**NOTE:** Spout and valves install through 1-1/4" diameter holes.  
Plumber to provide 3/4" supply lines to valves