

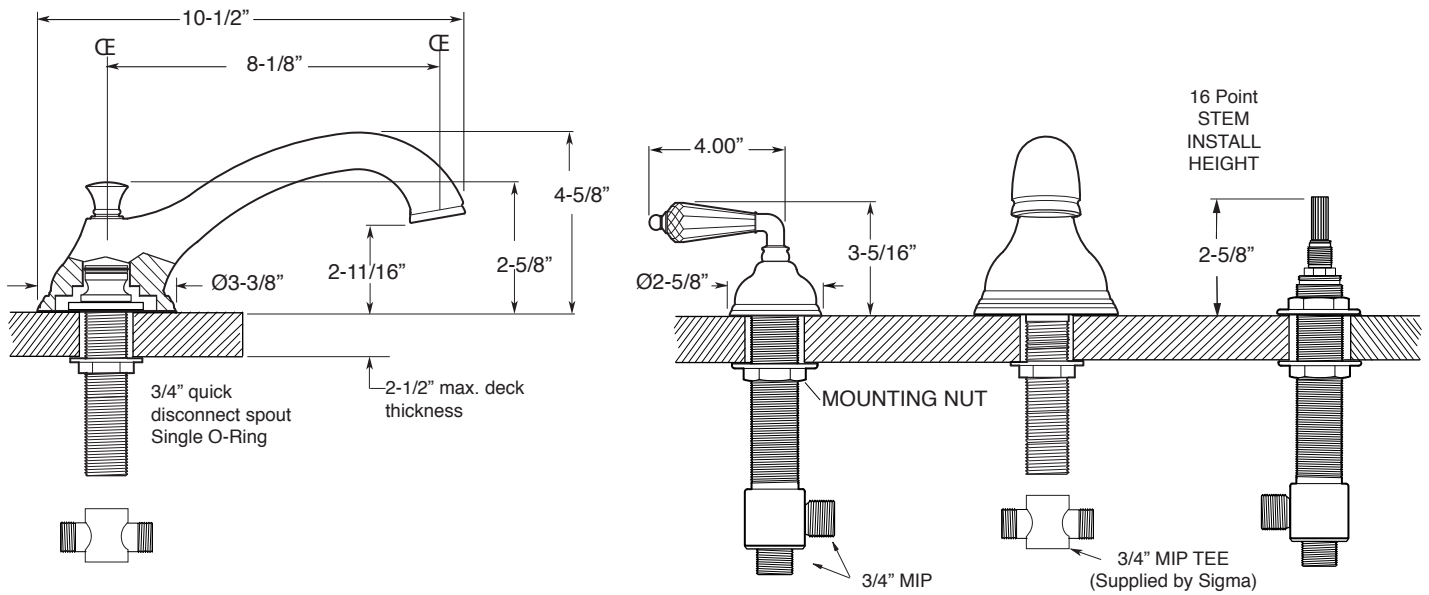
FEATURES:

- All brass construction.
- Crystal lever style handles with setscrew attachment.
- 3/4" valve bodies with 1/4-turn ceramic disc cartridge.
- Available in all finishes. Warranty varies according to finish.
- Certified to meet or exceed the following codes and standards:
ASME A112.18.1/CSAB 125.1-2011

Series 400

**Roman Tub Set
Roman Tub Handle**

1.406377
(1.406377T - Trim Only)



NOTE: Spout and valves install through 1-1/4" diameter holes.
Plumber to provide 3/4" supply lines to valves