

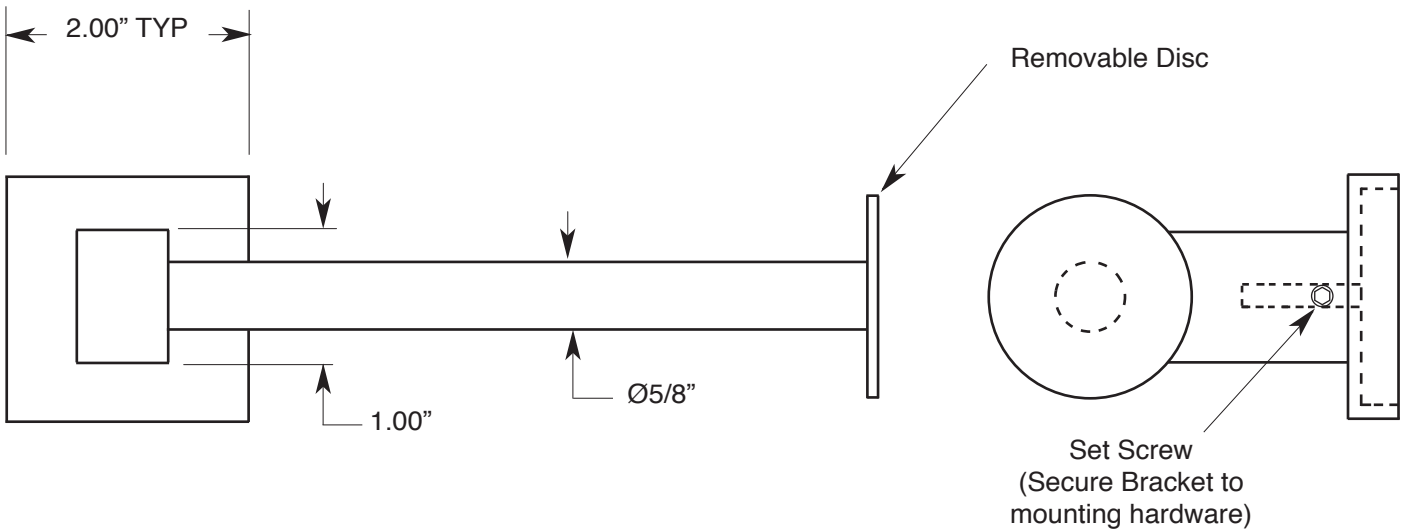
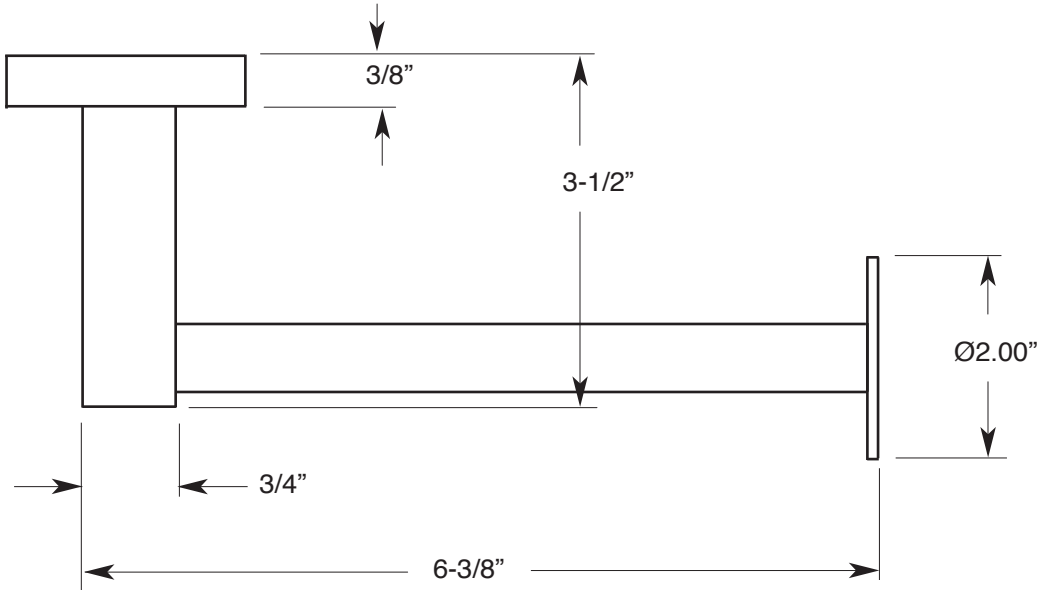
**FEATURES:**

- All brass construction
- Available in all Sigma finishes. Warranty varies according to finish selection.
- Comes with mounting hardware.
- Meets: ASME A112.18.1-2005 / CSA B125.1-2005

**Accessories**

**Series 38  
Single Post Paper Holder**

1.38PH00



Note: Measurements are subject to change or cancellation. No responsibility is assumed for use of superseded or voided pages.