

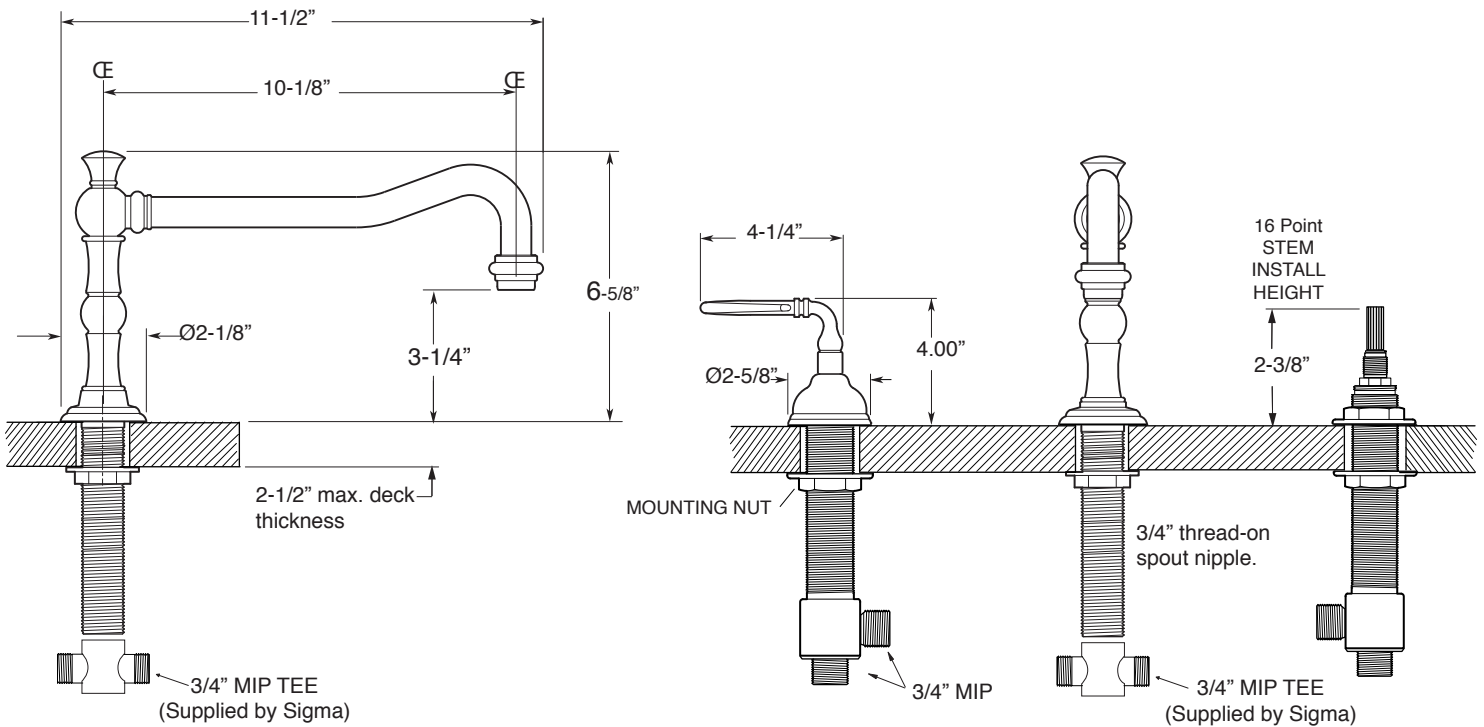
**FEATURES:**

- All brass construction
- Loop lever style handles with setscrew attachment.
- 3/4" valve bodies with 1/4 turn ceramic disc cartridge.
- Available in all finishes. Warranty varies according to finish selection.
- Certified to meet or exceed the following codes and standards:  
ASME A112.18.1/CSAB 125.1-2011

**Series 350**

**Roman Tub Set  
Bordeaux Handle**

1.356477  
(1.356477T - Trim Only)



**NOTE:** Spout and valves install through 1-1/4" diameter holes.  
Plumber to provide 3/4" supply lines to valves