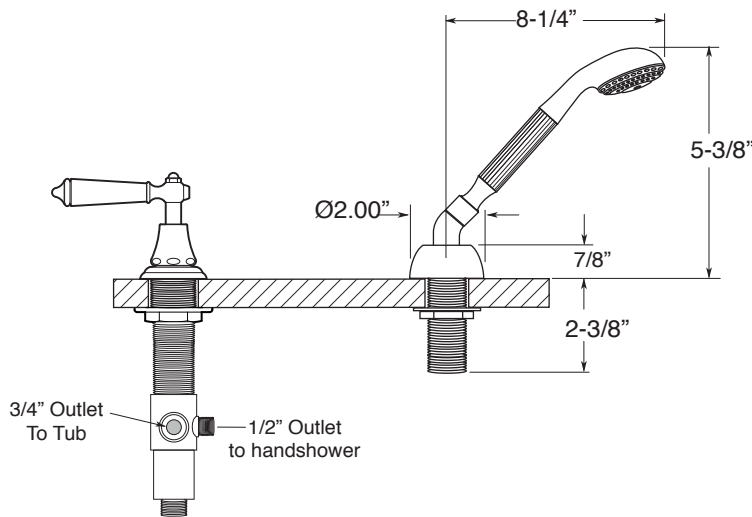
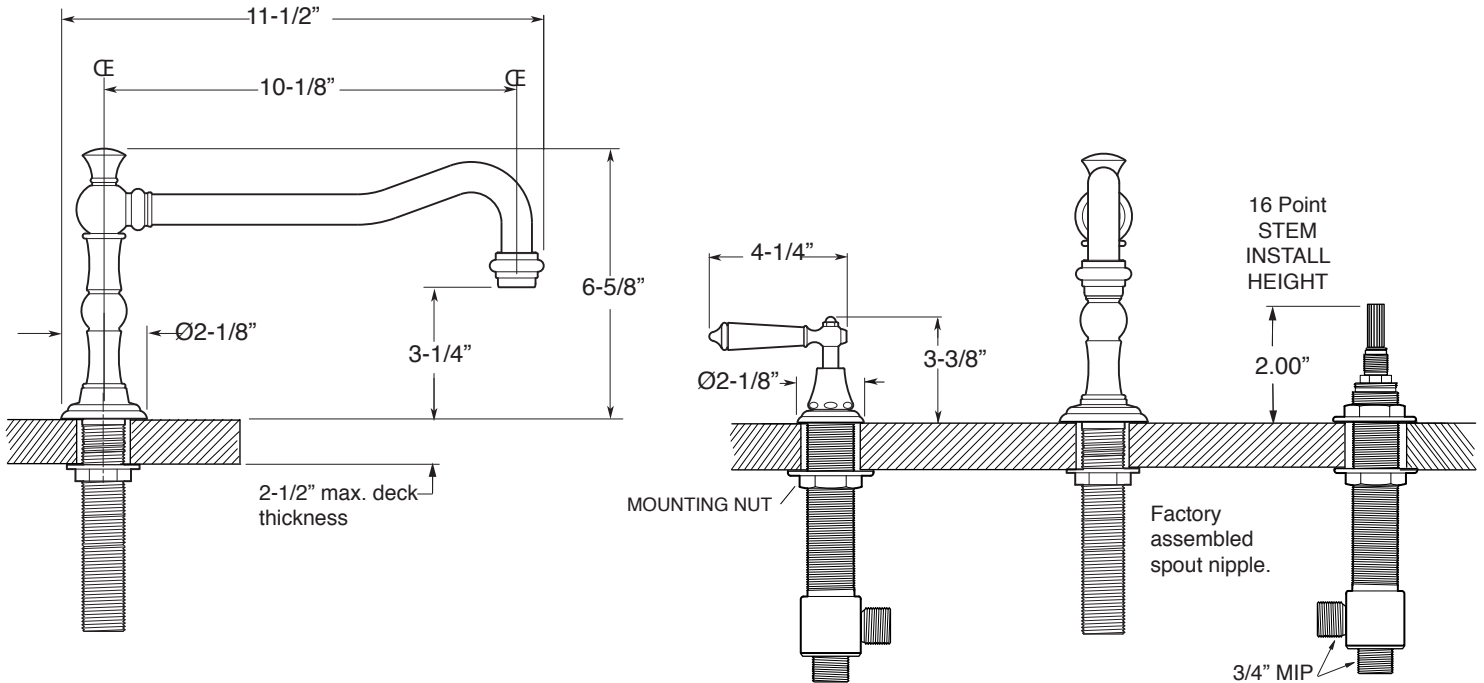


**FEATURES:**

- All brass construction.
- Porcelain lever style handles with decorative screw attachment.
- 3/4" valve bodies with 1/4-turn ceramic disc valve cartridge.
- Available in all finishes. Warranty varies according to finish selection.
- Certified to meet or exceed the following codes and standards:  
ASME A112.18.1/CSAB 125.1-2011

**Series 350**  
**Orleans**  
**Roman Tub Set with Deckmount**  
**Handshower and Diverter**  
**1.355793**  
**(1.355793T - Trim only)**



Spout and valves install through 1-1/4" diameter holes.  
Plumber to provide 3/4" supply lines to valves

**NOTE:** 1/2" outlet for in-line vacuum breaker (18.15.055), and 60" chrome spiral hose (18.10.016) - INCLUDED

Note: Measurements are subject to change or cancellation. No responsibility is assumed for use of superseded or voided pages.