

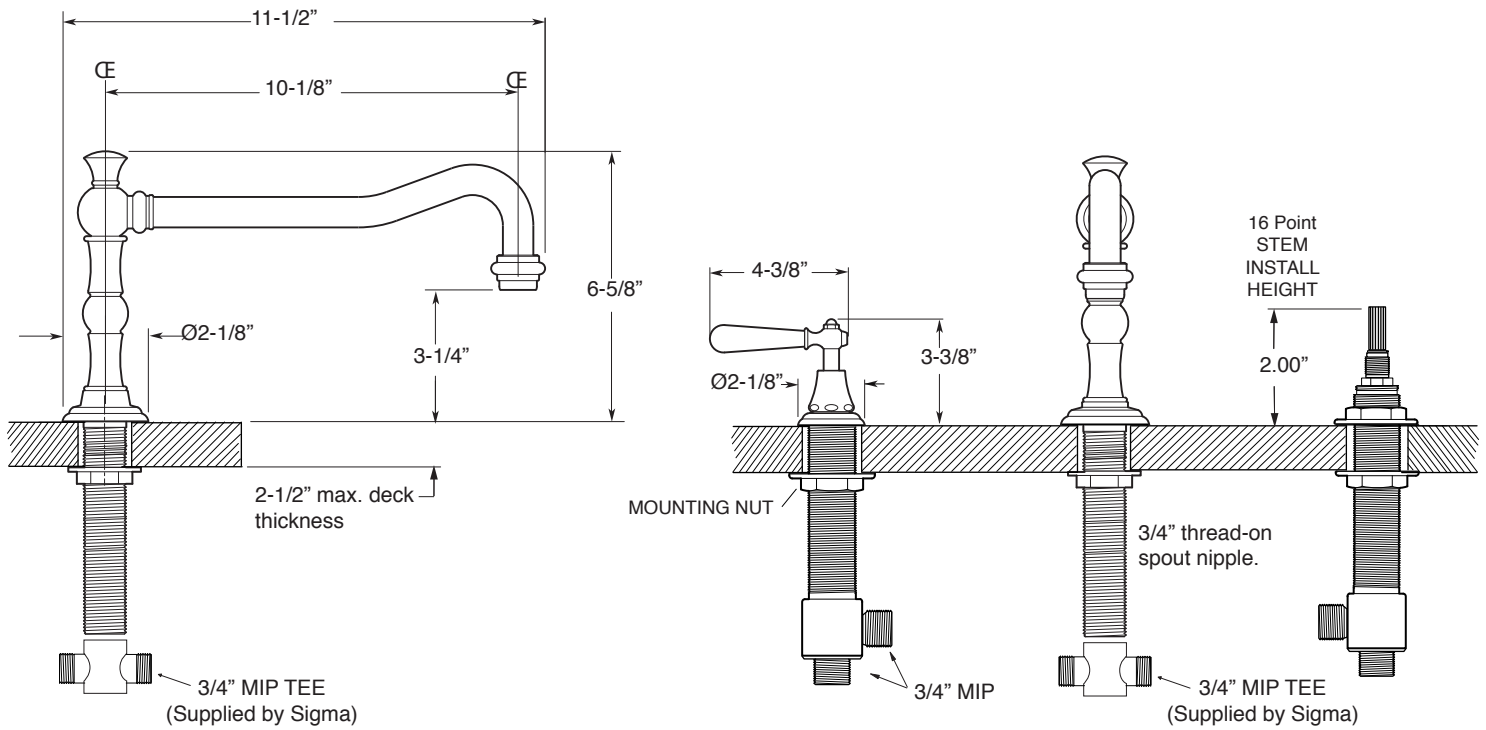
FEATURES:

- All brass construction.
- Lever style handles with decorative screw attachment.
- 3/4" valve bodies with 1/4-turn ceramic disc valve cartridge
- Available in all finishes. Warranty varies according to finish selection.
- Certified to meet or exceed the following codes and standards:
ASME A112.18.1/CSAB 125.1-2011

Series 350

**Roman Tub Set
Loire Handle**

1.355677
(1.355677T - Trim Only)



NOTE: Spout and valves install through 1-1/4" diameter holes.
Plumber to provide 3/4" supply lines to valves

Note: Measurements are subject to change or cancellation. No responsibility is assumed for use of superseded or voided pages.