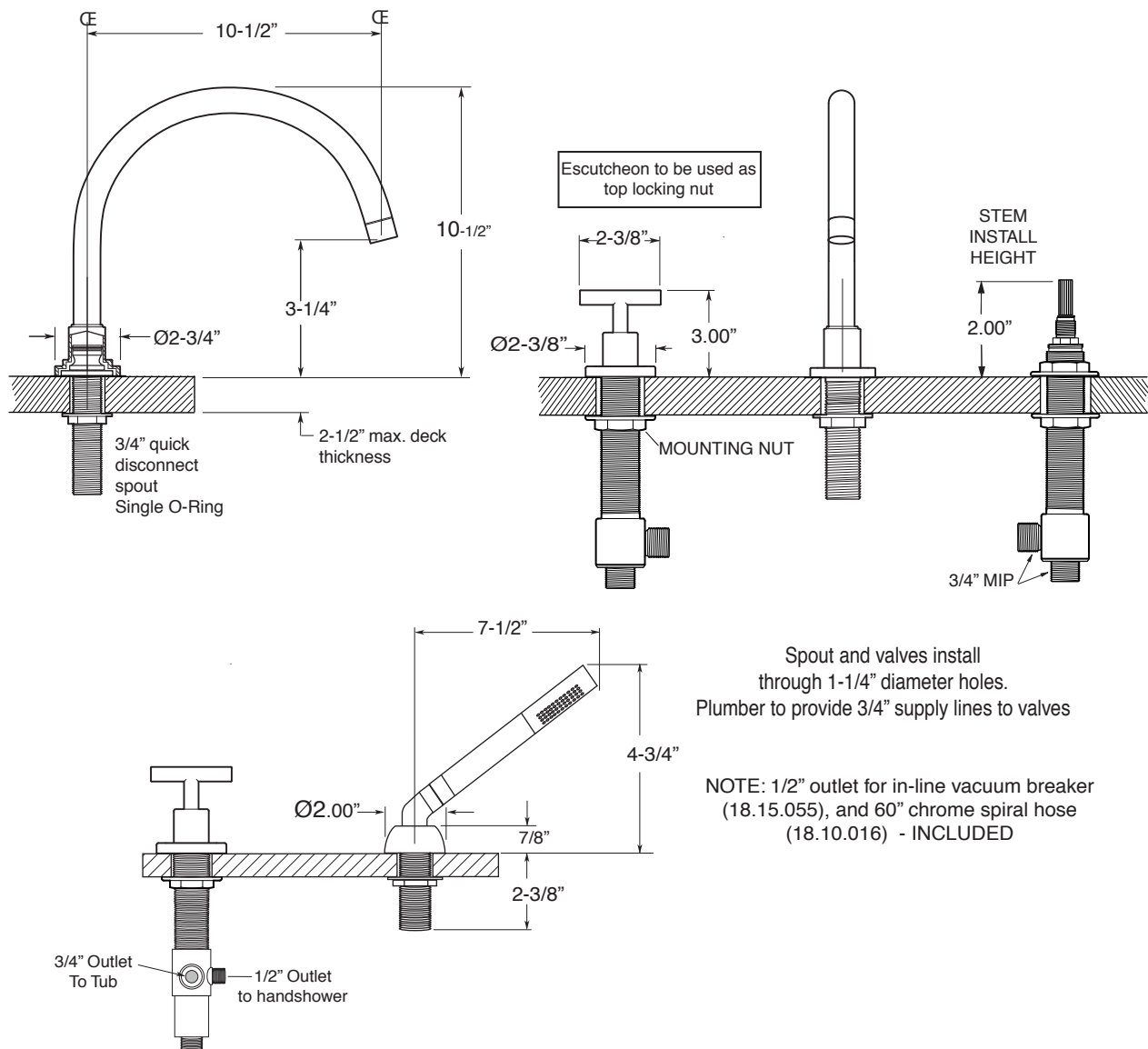


**FEATURES:**

- All brass construction.
- Cross handle style with inside screw attachment.
- 3/4" valve bodies with 20 pt. 1/4-turn ceramic disc cartridge.
- Available in all finishes. Warranty varies according to finish.
- Certified to meet or exceed the following codes and standards:  
ASME A112.18.1/CSA B125.1-2011

## Series 3400

Ceres II  
Roman Tub Set with Deckmount  
Handshower and Diverter  
1.345093  
(1.345093T - Trim only)



Note: Measurements are subject to change or cancellation. No responsibility is assumed for use of superseded or voided pages.