

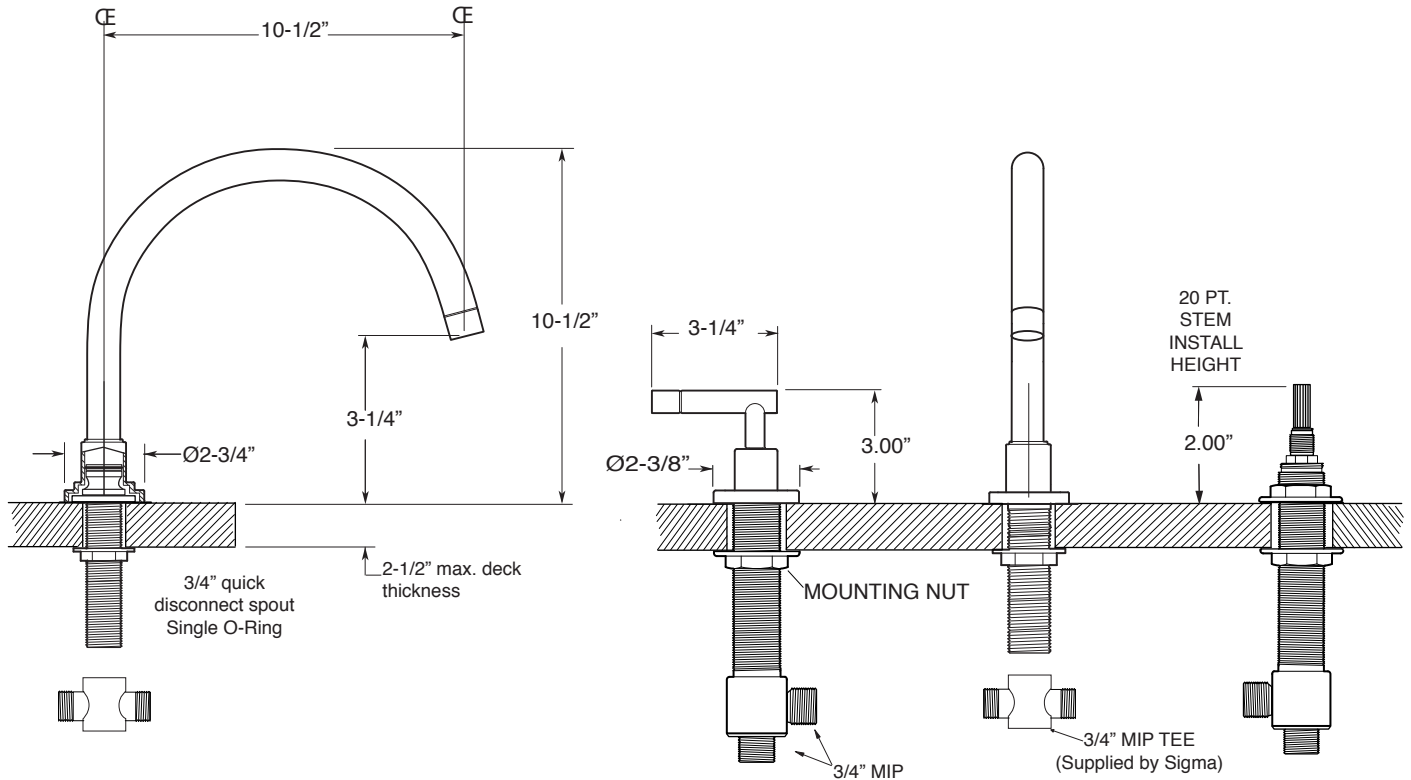
FEATURES:

- All brass construction.
- Lever style handles with inside attachment.
- 3/4" valve bodies with 20 PT. 1/4-turn ceramic disc cartridge.
- Available in all finishes. Warranty varies according to finish.
- Certified to meet or exceed the following codes and standards:
ASME A112.18.1/CSAB 125.1-2011

Series 3400

**Roman Tub Set
Polaris II Handle**

1.344977
(1.344977T - Trim Only)



NOTE: Spout and valves install through 1-1/4" diameter holes.
Plumber to provide 3/4" supply lines to valves

Note: Measurements are subject to change or cancellation. No responsibility is assumed for use of superseded or voided pages.