

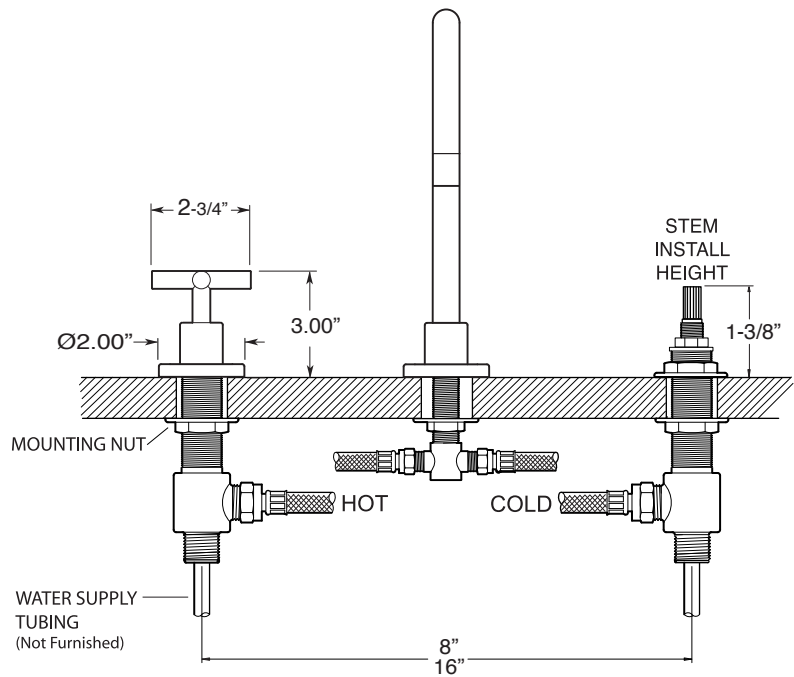
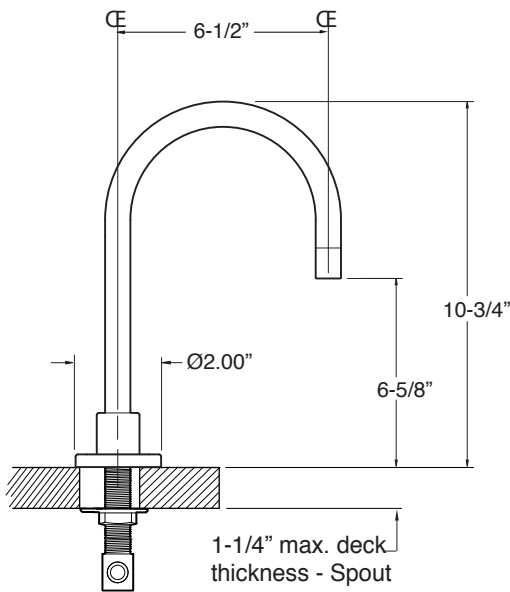
**FEATURES:**

- All brass construction. Flexible hoses designed to be installed on 8" to 16" centers.
- Includes soft touch drain assembly with overflow P/N: 18.11.052
- Concealed aerator requires aerator removal key P/N: 18.07.050
- Cross style handle style with inside screw attachment.
- 20pt 1/4-turn ceramic disc valve cartridge\*.
- Available in all finishes. Warranty varies according to finish selection.
- Standard aerator is limited to 1.2 gpm.
- Certified to meet or exceed the following codes and standards:  
ASME A112.18.1/CSAB 125.1-2012.

**Series 3400**

**Widespread Lavatory Set  
Nova II Handle**

1.344808



**NOTE:** Spout and valves install through 1-1/4" diameter holes

<p>* FOR 20PT HANDLE ONLY Replacement Cartridge Part Numbers: <b>Hot</b> - 18.30.036 <b>Cold</b> - 18.30.035</p>
--

Note: Measurements are subject to change. No responsibility is assumed for use of superseded or voided pages.