

Series 3200

Pressure Balance Tub and Shower Set

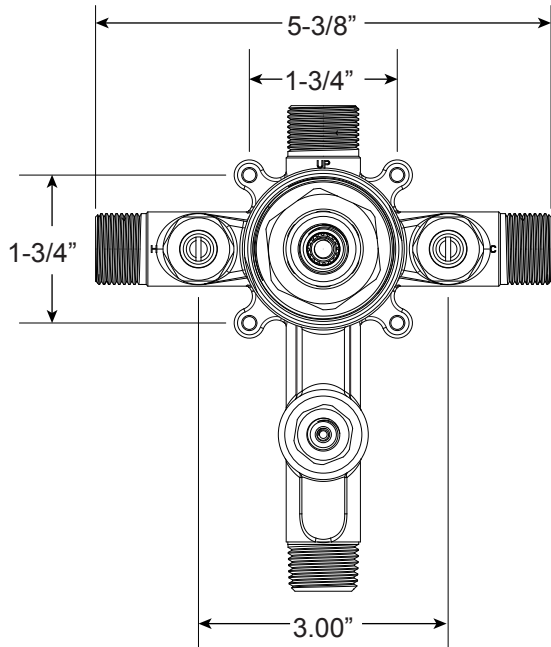
1.322568
(1.322568T - Trim Only)

Venezia Handle

16 pt.

FEATURES:

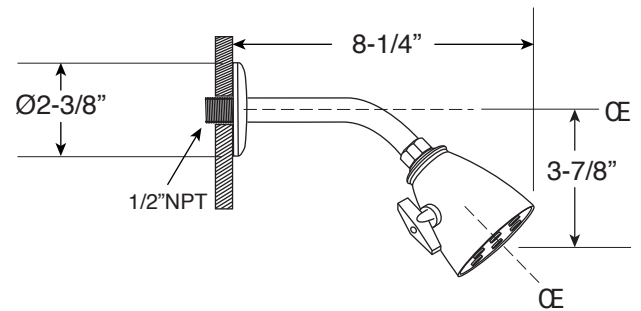
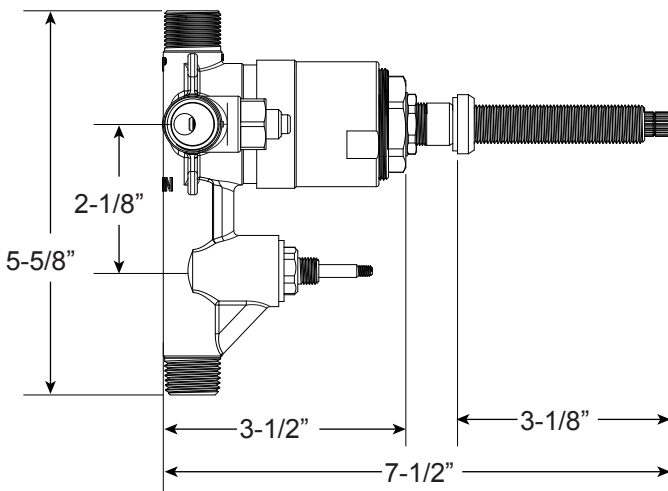
- Solid brass construction
- Valve cartridge: 18.30.893
- Diverter assembly: 18.30.894
- Screwdriver stop: 18.30.895
- Adjustable hot limit safety stop
- Reversible cartridge
- 5.0 GPM @ 60 PSI
- Certified to meet or exceed the following codes and standards:
ASME A112.18.1/CSAB 125.1-2012



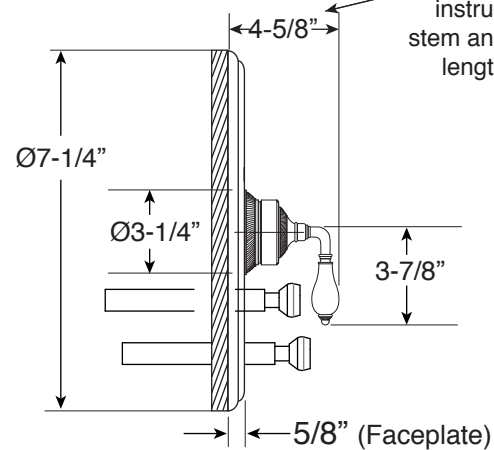
FRONT VIEW

Note: Stem and all-thread tube will be sent with handle trim.

SIDE VIEW



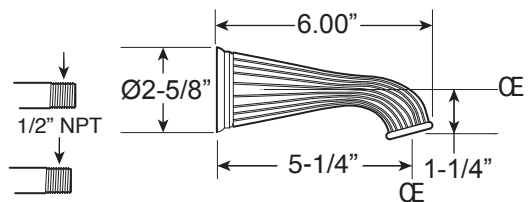
Note: See installation instructions for proper stem and all-thread tube length measurement.



1/2" NPT



1/2" NPT



Current valve in use: Circa 4/2014 - present Contact Customer Service for Older Versions	For additional information on cartridges or extension kits, see 'Rough Valving' section in current catalog.
---	--