

## Series 310

### Pressure Balance Tub and Shower Set

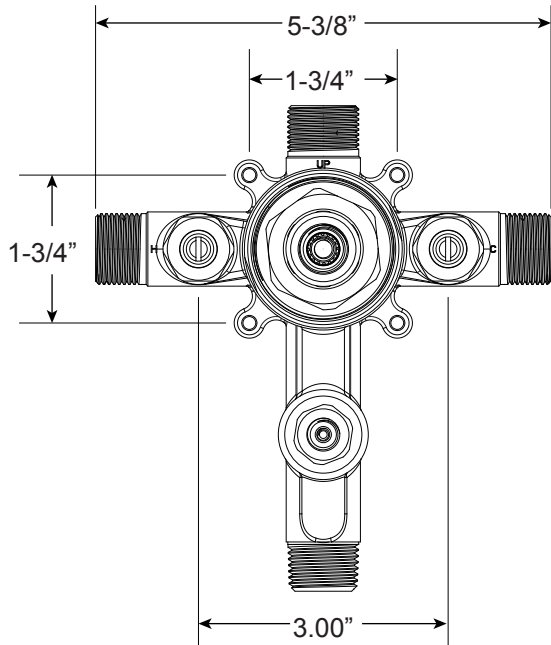
1.313968  
(1.313968T - Trim Only)

**Tribeca X Handle (39)**

Euro Style 20 pt.

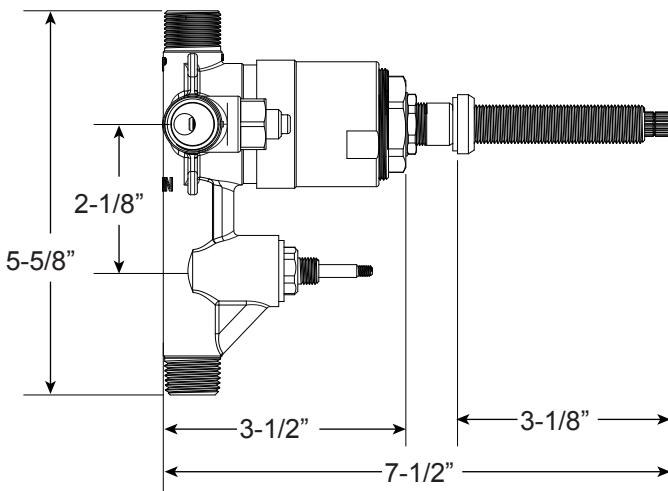
#### FEATURES:

- Solid brass construction
- Valve cartridge: 18.30.893
- Diverter assembly: 18.30.894
- Screwdriver stop: 18.30.895
- Adjustable hot limit safety stop
- Reversible cartridge
- 5.0 GPM @ 60 PSI
- Certified to meet or exceed the following codes and standards:  
ASME A112.18.1/CSAB 125.1-2012

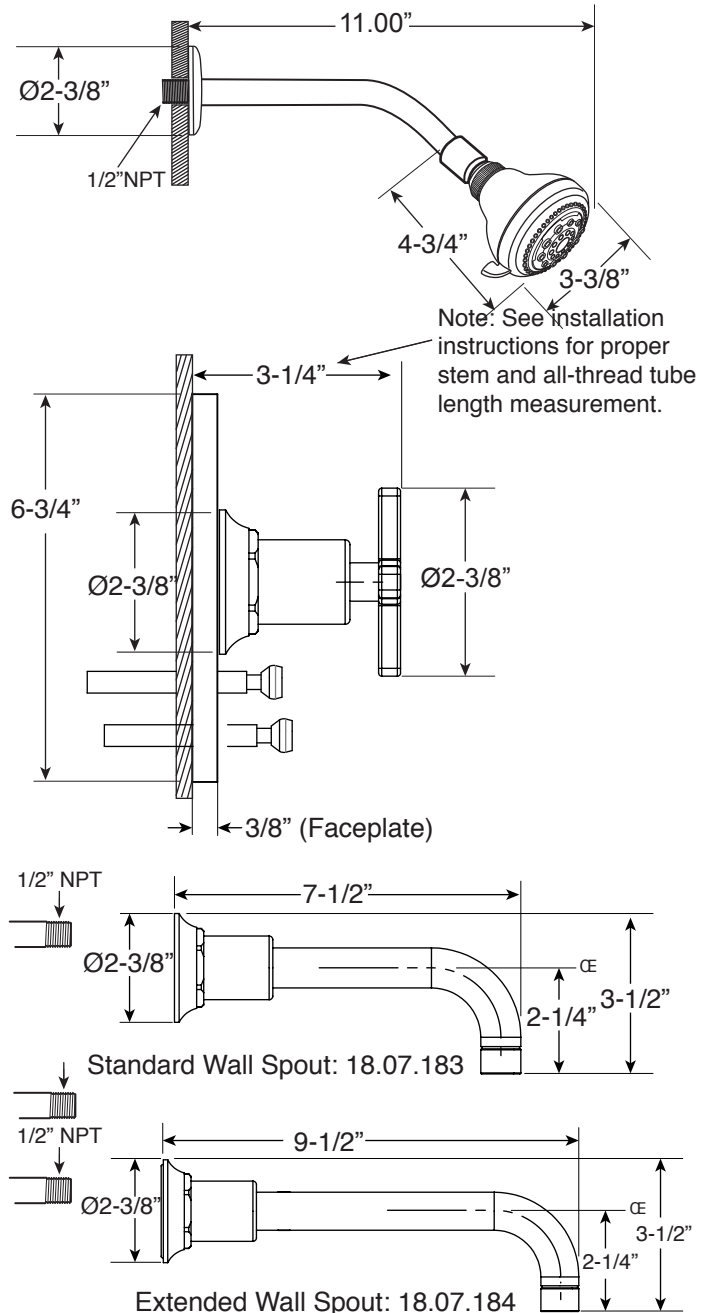


**FRONT VIEW**

**SIDE VIEW**



Note: Stem and all-thread tube will be sent with handle trim.



Current valve in use: Circa 4/2014 - present Contact Customer Service for Older Versions	For additional information on cartridges or extension kits, see 'Rough Valving' section in current catalog.
---	--