

Series 300
Widespread Lavatory Set

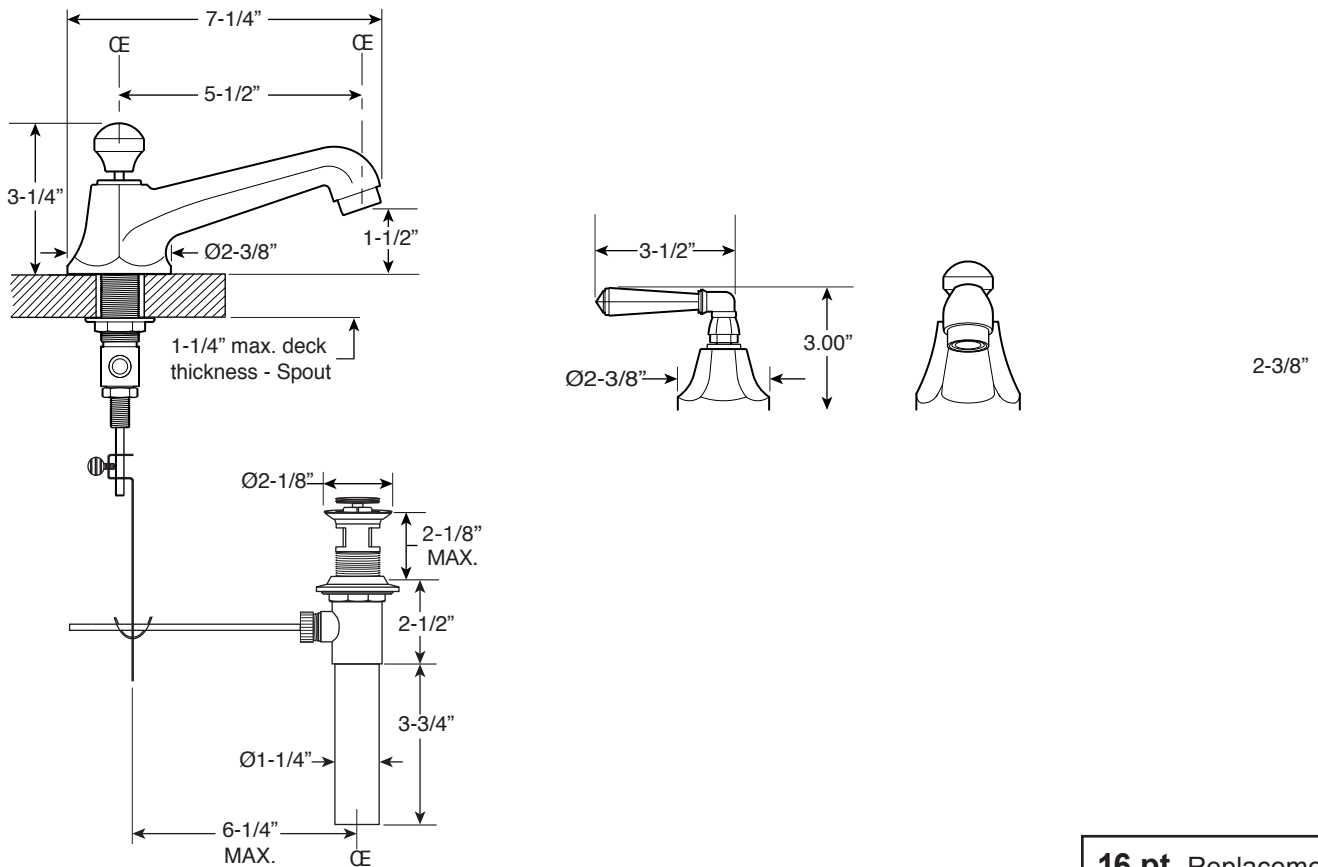
1.301008

Windham Handle

16 pt.

FEATURES:

- All brass construction.
- Flexible hoses designed to be installed on 8" to 16" centers.
- Includes drain assembly pictured below.
- 16pt. 1/4-turn ceramic disc valve cartridge.
- Standard aerator is limited to 1.2 gpm.
- Available in all finishes. Warranty varies according to finish selection.
- Certified to meet or exceed the following codes and standards:
ASME A112.18.1/CSAB 125.1-2012



16 pt. Replacement Cartridge Part #'s
HOT: 18.30.030
COLD: 18.30.029

Note: Measurements are subject to change. No responsibility is assumed for use of superseded or voided pages.