

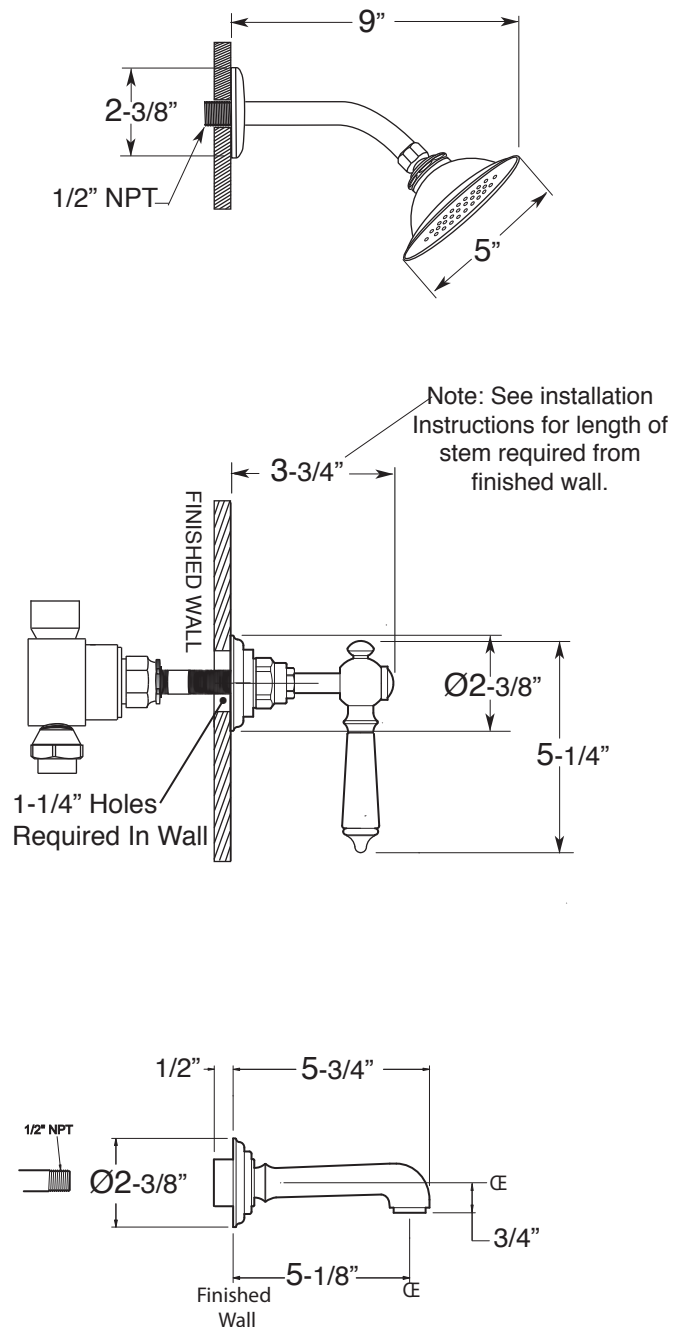
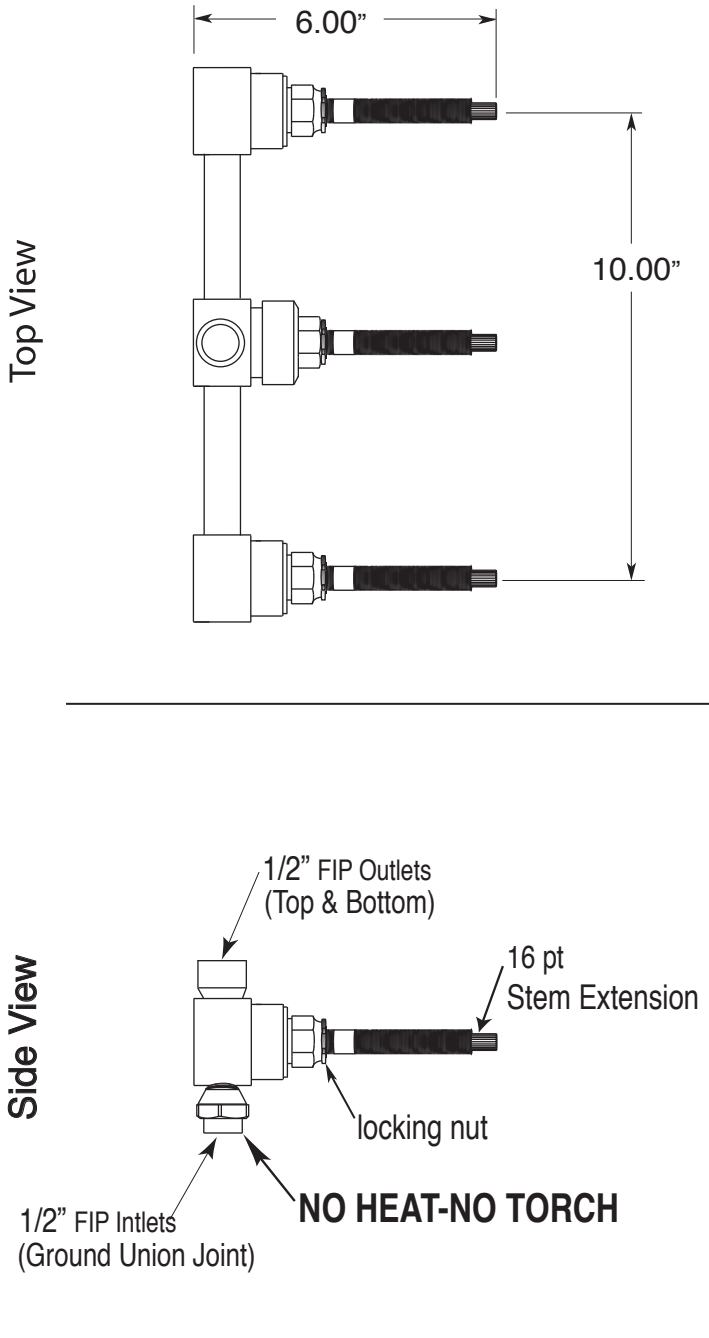
Features:

- Forged brass construction
- Built-in diverter valve assembly
- Includes 5" traditional rainhead
- 8" Center to Center available on request
- Replacement cartridge: 18.30.035 - cold / 18.30.036 - hot  
18.30.012 - diverter
- Certified to meet or exceed the following codes and standards:  
ASME A112.18.1/CSAB 125.1-2011

## 3 Valve Tub & Shower

Valve & Trim  
1.187733F  
**Ascot Handle**

(1.187733FT Trim Only)



Note: Measurements are subject to change or cancellation. No responsibility is assumed for use of superseded or voided pages.