

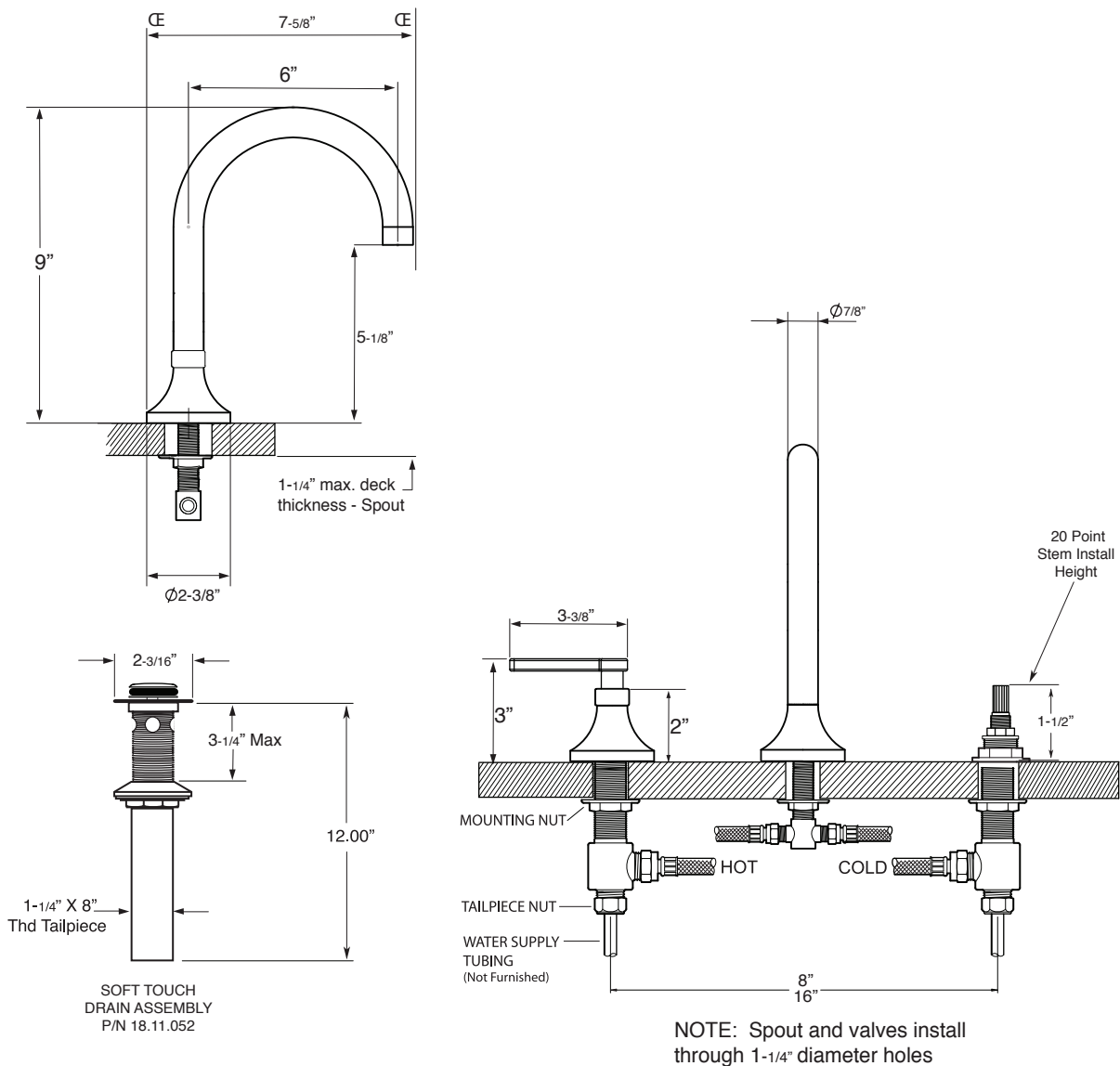
FEATURES:

- All brass construction. Flexible hoses designed to be installed on 8" to 16" centers. Includes soft touch drain assembly. P/N 18.11.052
- Lever style handles with inside clip attachment.
- 20 PT. 1/4-turn ceramic disc valve cartridge.
- Available in all finishes. Warranty varies according to finish selection.
- Standard aerator is limited to 1.2 gpm.
- Certified to meet or exceed the following codes and standards:
ASME A112.18.1/CSAB 125.1-2012

Series 120

**Widespread Lavatory Set
Capella Handle**

1.129708



Note: Measurements are subject to change or cancellation. No responsibility is assumed for use of superseded or voided pages.