

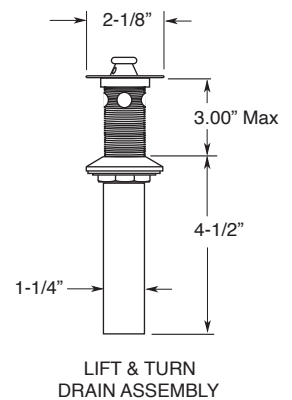
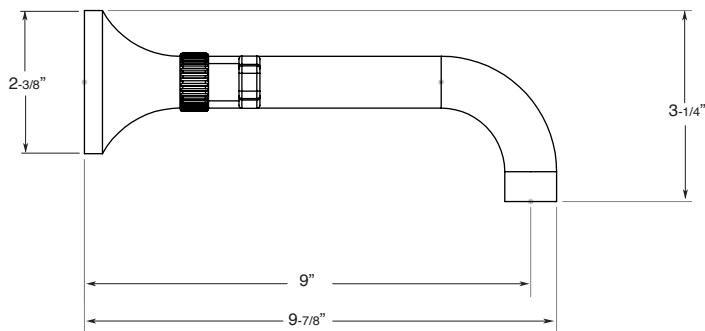
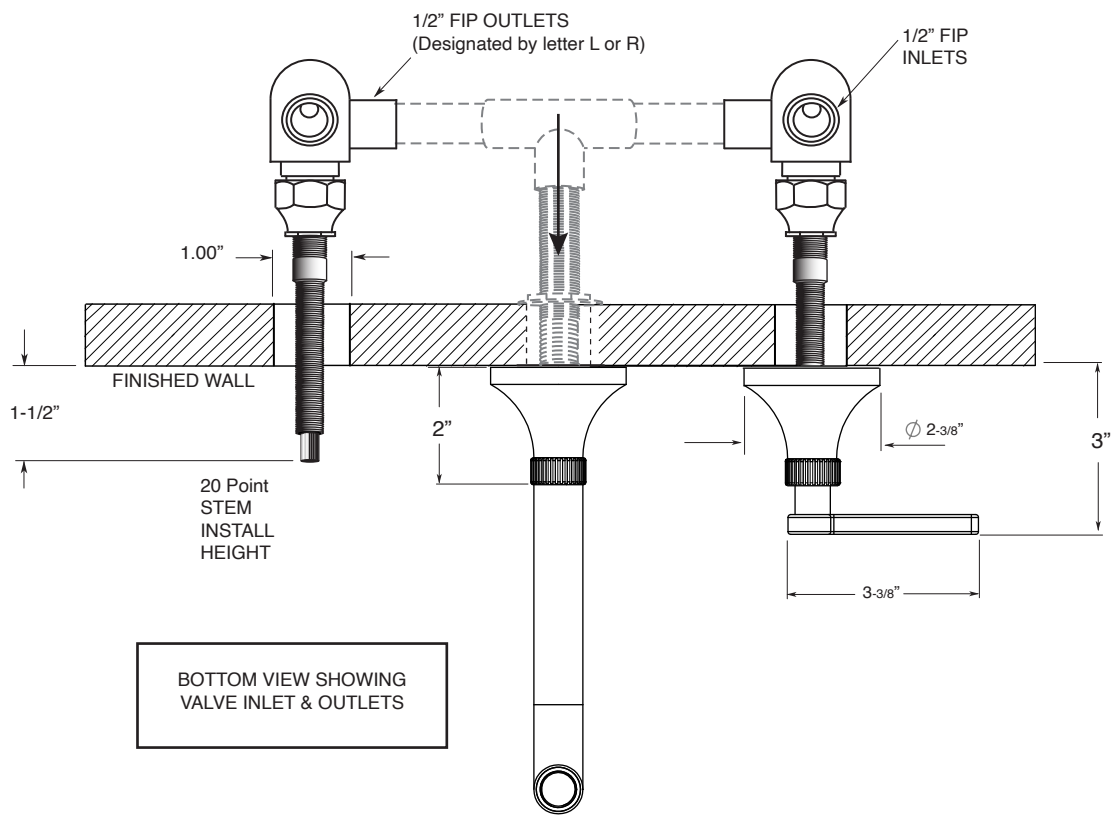
FEATURES:

- All brass construction,
- Independent corner valves
- Includes lift & turn style drain assembly P/N 18.11.042
- 1/4 turn ceramic disc valve cartridge.
- Available in all finishes. Warranty varies according to finish selection.
- Certified to meet or exceed the following codes and standards:
ASME A112.18.1/CSAB 125.1-2012

Series 110
Wall/Vessel Lavatory Set

1.110707
1.110707T (Trim Only)

Stella Handle



Note: Measurements are subject to change or cancellation. No responsibility is assumed for use of superseded or voided pages.