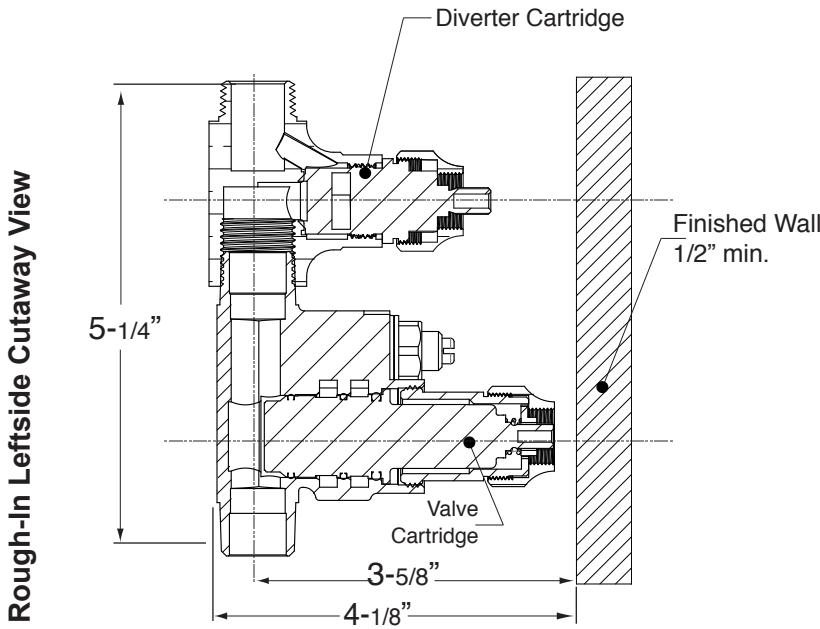


**Features:**

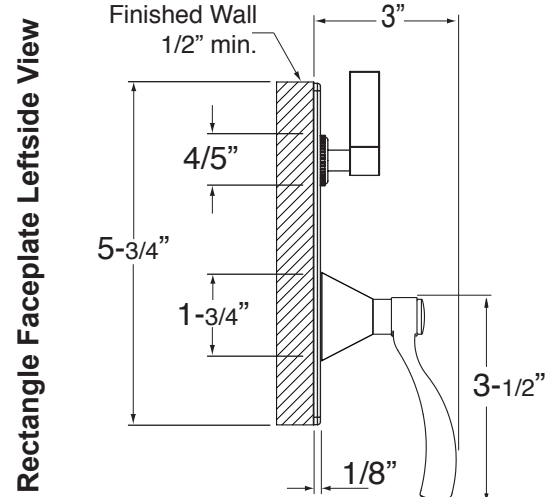
- Forged Brass Construction
- Adjustable Hot Limit Safety Stop with Push-In Override
- Flow capacity / Shut-Off: 7.0 gpm @ 45 psi
- Thermostatic valve cartridge: 18.30.294
- Screwdriver stop assembly: 18.30.895
- Volume control cartridge: 18.30.036
- Certified to meet or exceed the following codes and standards:  
ASME A112.18.1/CSAB 125.1-2012

## Maya Handle

### E-Mini Therm Valve Remote Thermostatic Valve with Shut-Off

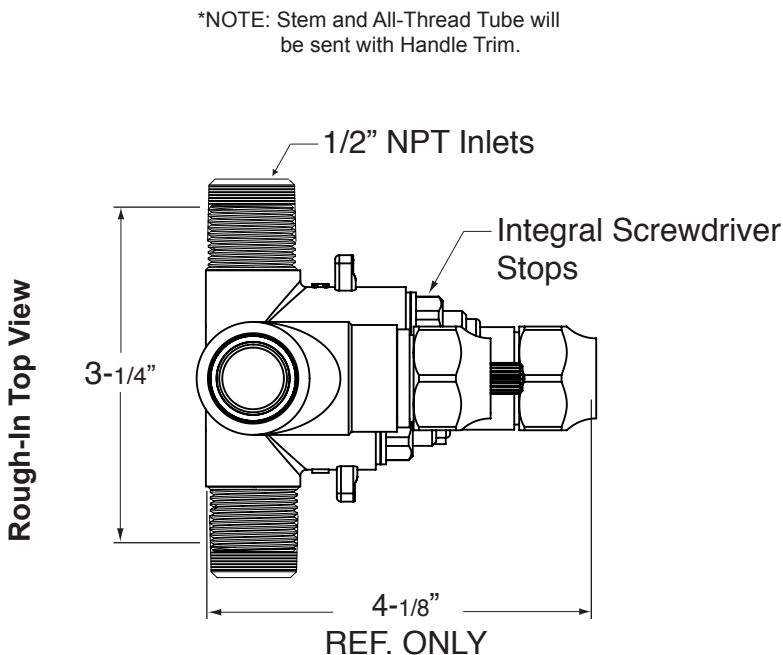


\*NOTE: Stem and All-Thread Tube will be sent with Handle Trim.

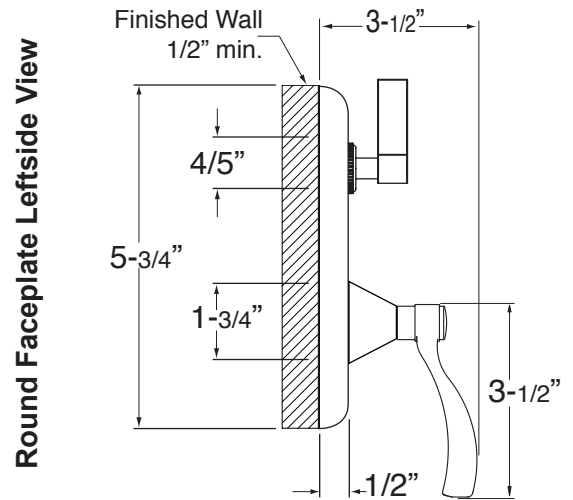


**1.0S8051T**  
5-3/4" x 3-3/4"

NOTE: MUST purchase Showerhead, Arm, Flange, and other options separately.



\*NOTE: Stem and All-Thread Tube will be sent with Handle Trim.



**1.0R8051T**  
5-3/4" round

NOTE: Measurements are subject to change or cancellation. No responsibility is assumed for use of superseded or voided pages.