

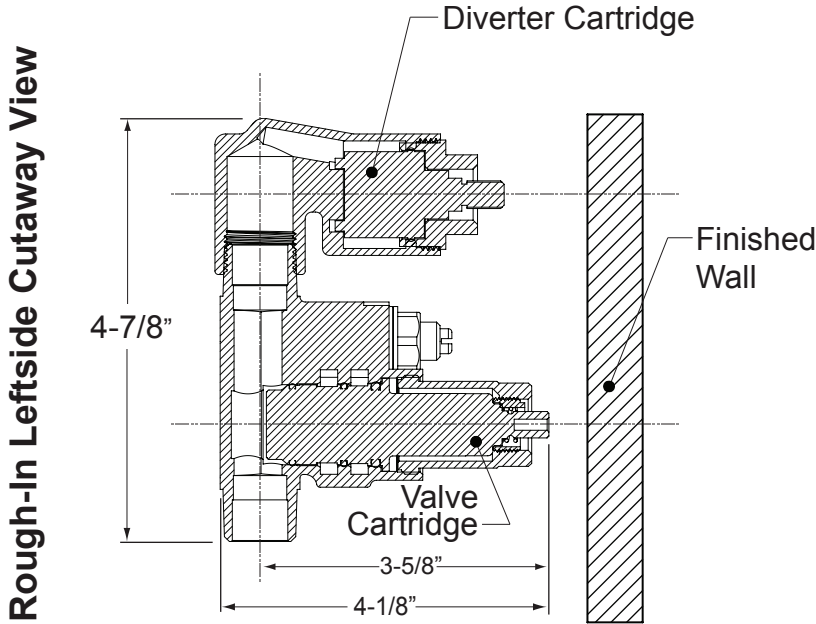
Features:

- Forged Brass Construction
- Adjustable Hot Limit Safety Stop with Push-In Override
- Flow capacity / Diverter - 4.5 GPM / 45 psi
- Certified to meet or exceed the following codes and standards:
ASME A112.18.1/CSAB 125.1-2012

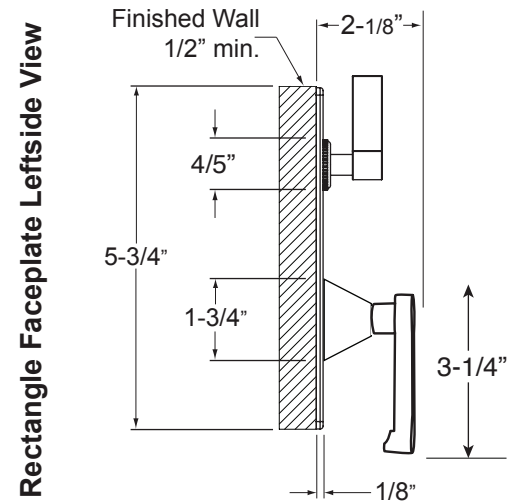
Series 810

1.0S6851T

E-Mini Therm Valve
Remote Thermostatic Valve
with Two-Way Diverter
with Piston Lever Handle

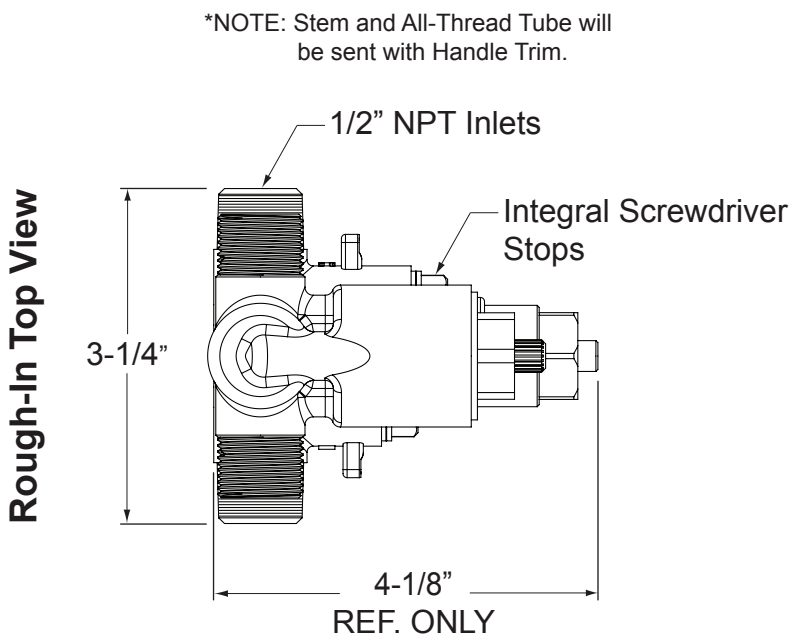


*NOTE: Stem and All-Thread Tube will be sent with Handle Trim.

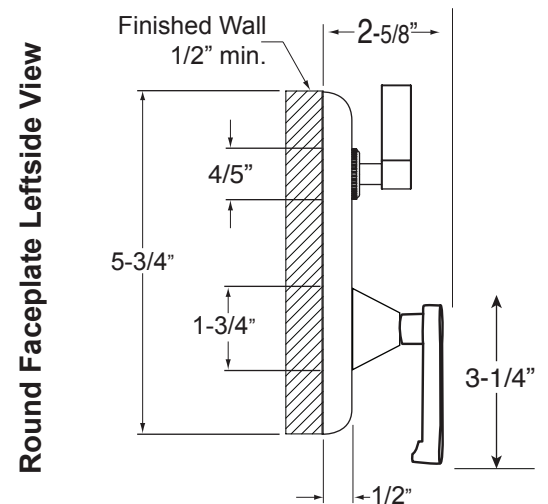


1.0S6851T
5-3/4" x 3-3/4"

NOTE: MUST purchase Showerhead, Arm, Flange, and other options separately.



*NOTE: Stem and All-Thread Tube will be sent with Handle Trim.



1.0R6851T
5-3/4" round