

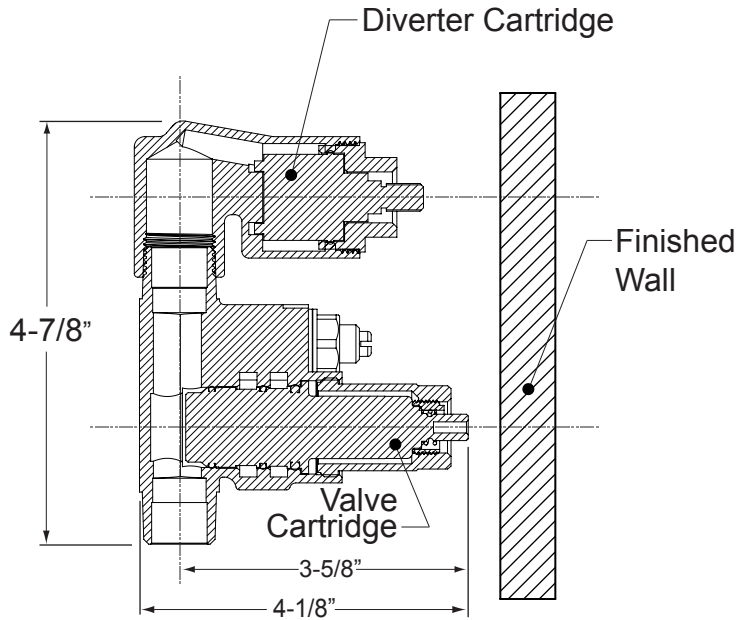
Features:

- Forged Brass Construction
- Adjustable Hot Limit Safety Stop with Push-In Override
- Flow capacity / Diverter - 4.5 GPM / 45 psi
- Certified to meet or exceed the following codes and standards:
ASME A112.18.1/CSAB 125.1-2012

Madison Elite

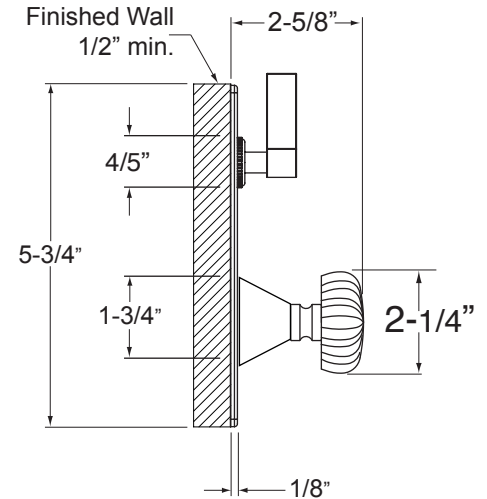
E-Mini Therm Valve Remote Thermostatic Valve with Two-Way Diverter

Rough-In Leftside Cutaway View



*NOTE: Stem and All-Thread Tube will be sent with Handle Trim.

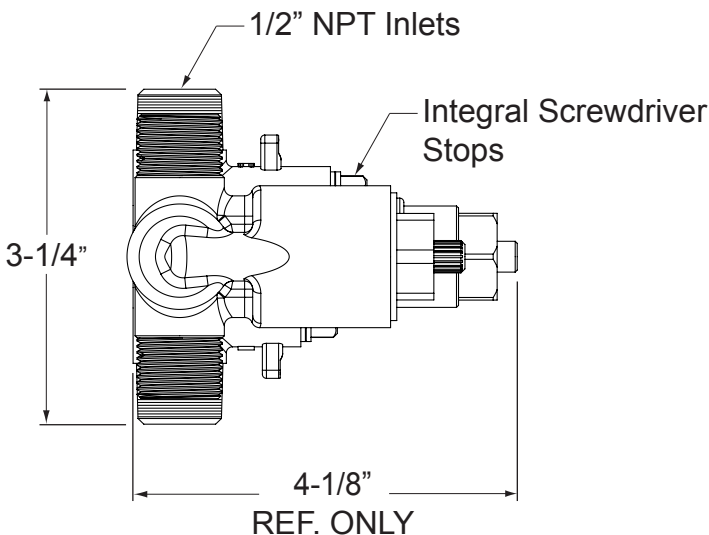
Rectangle Faceplate Leftside View



1.0S4051T
5-3/4" x 3-3/4"

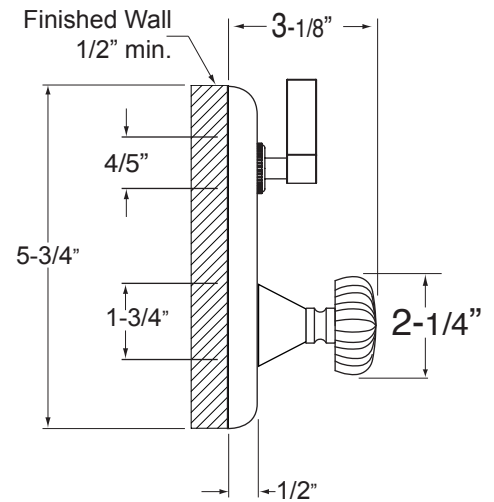
NOTE: MUST purchase Showerhead, Arm, Flange, and other options separately.

Rough-In Top View



*NOTE: Stem and All-Thread Tube will be sent with Handle Trim.

Round Faceplate Leftside View



1.0R4051T
5-3/4" round

NOTE: Measurements are subject to change or cancellation. No responsibility is assumed for use of superseded or voided pages.